

seppi m.

SPARE PARTS LIST

LISTINO RICAMBI / ERSATZTEILLISTE / LISTE DE PIÈCES DE RECHANGE / LISTADO DE REPUESTOS

SML*

Code	Description	Descrizione	Beschreibung	Description	Description
01-0005	Frame	telaio	Rahmen	Châssis	Chasis
02-0009	Rotor with flails	rotore a lame	Rotor mi Messer	Rotor avec couteaux	Rotor con cuchillas
02-0010	Rotor with hammer	rotore a martelli	Rotor mit Sclegel	Rotor avec marteaux	Rotor con martillos
03-0006	Trasmission 125 200	trasmissione 125 200	Getriebe 15 200	Transmission 125 200	Trasmision 125 200
03-0030	Gearbox Comer 540 rpm with P.T.O. shaft	moltiplicatore Comer 540 rpm con prolunga	Getriebe Comer 540 rpm mit Verlängerung	Boitier Comer 540 rpm avec prolonge	Caja de cambio Comer 540 rpm con prolunga
03-0058	P.T.O. shaft for gerabox Comer	prolunga per moltiplicatore comer	Verlängerung für Comer Getriebe	Prolonge pour boiter Comer	Prolonga para caja Comer
03-0089	Transmission Opt 106	trasmissione Opt 106	Getriebe Opt 106	Transmission Opt 106	Transmission Opt 106
04-0005	Three-point-hitch-frame	attacco a tre punti	Drei-Punkt-Anbau	Attelage trois-points	Connexion tres-puntos
04-0012	Sideshift three-point-hitch frame	attacco a tre punti spostabile	Verschiebarer drei-Punkt Anbau	Attelage trois-point spostable	Connexion tres-puntos desplazable
05-0002	Roller mod.97	rullo mod. 97	Walze mod.97	Rouleau mod.97	Rodillo mod.97

Released 17/07/2009

Valid from:	
Valida da:	
Gültig ab:	2009
Valable à partir du:	
En vigor a partir del:	

LEGENDA			
INFO	+	-	#
EN	and	to	or
ITA	e	a	o
DE	und	bis	oder
FR	et	à	ou
SP	y	hasta	o

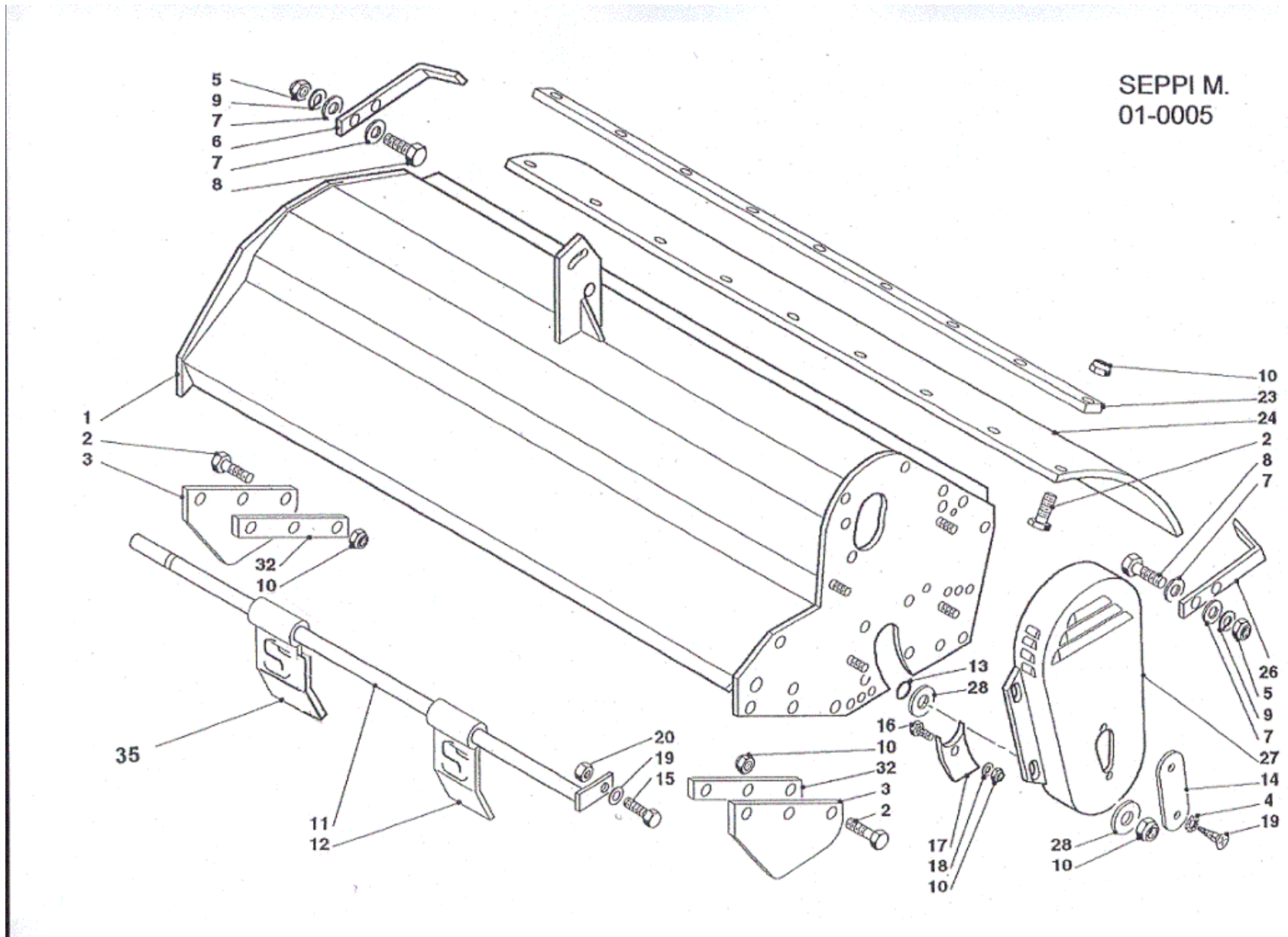
Frame

telaio

Rahmen

Chassis

Chasis



Pos.	Code	Description	Descrizione	Beschreibung	Description	Descripción	Info
001	11301001	CPL FRAME L=105	TELAIO CPL SML L=105	KPL RAHMEN SML L=105	CHASS.CPL L=105	CHASIS CPL SML L=105	
001	11301001	CPL FRAME L=105	TELAIO CPL SML L=105	KPL RAHMEN SML L=105	CHASS.CPL L=105	CHASIS CPL SML L=105	
001	11301003	CPL FRAME L=125	TELAIO CPL SML L=125	KPL RAHMEN SML L=125	CHASS.CPL L=125	CHASIS CPL SML L=125	
001	11301003	CPL FRAME L=125	TELAIO CPL SML L=125	KPL RAHMEN SML L=125	CHASS.CPL L=125	CHASIS CPL SML L=125	
001	11301005	CPL FRAME L=155	TELAIO CPL SML L=155	KPL RAHMEN SML L=155	CHASS.CPL L=155	CHASIS CPL SML L=155	
001	11301005	CPL FRAME L=155	TELAIO CPL SML L=155	KPL RAHMEN SML L=155	CHASS.CPL L=155	CHASIS CPL SML L=155	
001	11301006	CPL FRAME L=175	TELAIO CPL SML L=175	KPL RAHMEN SML L=175	CHASS.CPL L=175	CHASIS CPL SML L=175	
001	11301006	CPL FRAME L=175	TELAIO CPL SML L=175	KPL RAHMEN SML L=175	CHASS.CPL L=175	CHASIS CPL SML L=175	
001	11301007	CPL FRAME L=200	TELAIO CPL SML L=200	KPL RAHMEN SML L=200	CHASS.CPL L=200	CHASIS CPL SML L=200	
001	11301007	CPL FRAME L=200	TELAIO CPL SML L=200	KPL RAHMEN SML L=200	CHASS.CPL L=200	CHASIS CPL SML L=200	
001	11301008	CPL FRAME L=225	TELAIO CPL SML L=225	KPL RAHMEN SML L=225	CHASS.CPL L=225	CHASIS SML L=225	
001	11301008	CPL FRAME L=225	TELAIO CPL SML L=225	KPL RAHMEN SML L=225	CHASS.CPL L=225	CHASIS SML L=225	
001	11301009	CPL FRAME SML 225 OPT .206	TELAIO CPL X OPT 206 SML L=225	KPL RAHMEN SML L=225 OPT 206	CHASS.CPL SML 225 OPT .206	CHASIS SML OPT.206 L=225	
001	11301009	CPL FRAME SML 225 OPT .206	TELAIO CPL X OPT 206 SML L=225	KPL RAHMEN SML L=225 OPT 206	CHASS.CPL SML 225 OPT .206	CHASIS SML OPT.206 L=225	
001	11301010	CPL FRAME SML 225 OPT .208	TELAIO SML OPT 208 L=225	KPL RAHMEN SML L=225 OPT 208	CHASS.CPL SML 225 OPT .208	CHASIS SML OPT 208 L=225	
001	11301010	CPL FRAME SML 225 OPT .208	TELAIO SML OPT 208 L=225	KPL RAHMEN SML L=225 OPT 208	CHASS.CPL SML 225 OPT .208	CHASIS SML OPT 208 L=225	
001	11301029	CPL FRAME SML 105 OPT .206	TELAIO CPL X OPT 206 SML L=105	KPL RAHMEN SML L=105 OPT 206	CHASS.CPL SML 105 OPT .206	CHASIS SML OPT.206 L=105	
001	11301029	CPL FRAME SML 105 OPT .206	TELAIO CPL X OPT 206 SML L=105	KPL RAHMEN SML L=105 OPT 206	CHASS.CPL SML 105 OPT .206	CHASIS SML OPT.206 L=105	
001	11301030	CPL FRAME SML 125 OPT .206	TELAIO CPL X OPT 206 SML L=125	KPL RAHMEN SML L=125 OPT 206	CHASS.CPL SML 125 OPT .206	CHASIS SML OPT.206 L=125	
001	11301030	CPL FRAME SML 125 OPT .206	TELAIO CPL X OPT 206 SML L=125	KPL RAHMEN SML L=125 OPT 206	CHASS.CPL SML 125 OPT .206	CHASIS SML OPT.206 L=125	
001	11301031	CPL FRAME SML 155 OPT .206	TELAIO CPL X OPT 206 SML L=155	KPL RAHMEN SML L=155 OPT 206	CHASS.CPL SML 155 OPT .206	CHASIS SML OPT.206 L=155	
001	11301031	CPL FRAME SML 155 OPT .206	TELAIO CPL X OPT 206 SML L=155	KPL RAHMEN SML L=155 OPT 206	CHASS.CPL SML 155 OPT .206	CHASIS SML OPT.206 L=155	
001	11301032	CPL FRAME SML 175 OPT .206	TELAIO CPL X OPT 206 SML L=175	KPL RAHMEN SML L=175 OPT 206	CHASS.CPL SML 175 OPT .206	CHASIS SML OPT.206 L=175	
001	11301032	CPL FRAME SML 175 OPT .206	TELAIO CPL X OPT 206 SML L=175	KPL RAHMEN SML L=175 OPT 206	CHASS.CPL SML 175 OPT .206	CHASIS SML OPT.206 L=175	
001	11301033	CPL FRAME SML 200 OPT .206	TELAIO CPL X OPT 206 SML L=200	KPL RAHMEN SML L=200 OPT 206	CHASS.CPL SML 200 OPT .206	CHASIS SML OPT.206 L=200	
001	11301033	CPL FRAME SML 200 OPT .206	TELAIO CPL X OPT 206 SML L=200	KPL RAHMEN SML L=200 OPT 206	CHASS.CPL SML 200 OPT .206	CHASIS SML OPT.206 L=200	
001	11301034	CPL FRAME SML 155 OPT .208	TELAIO SML OPT.208 L=155	KPL RAHMEN SML L=155 OPT 208	CHASS.CPL SML 155 OPT .208	CHASIS SML OPT.208 L=155	
001	11301034	CPL FRAME SML 155 OPT .208	TELAIO SML OPT.208 L=155	KPL RAHMEN SML L=155 OPT 208	CHASS.CPL SML 155 OPT .208	CHASIS SML OPT.208 L=155	
001	11301035	CPL FRAME SML 175 OPT .208	TELAIO SML OPT.208 L=175	KPL RAHMEN SML L=175 OPT 208	CHASS.CPL SML 175 OPT .208	CHASIS SML OPT.208 L=175	
001	11301035	CPL FRAME SML 175 OPT .208	TELAIO SML OPT.208 L=175	KPL RAHMEN SML L=175 OPT 208	CHASS.CPL SML 175 OPT .208	CHASIS SML OPT.208 L=175	

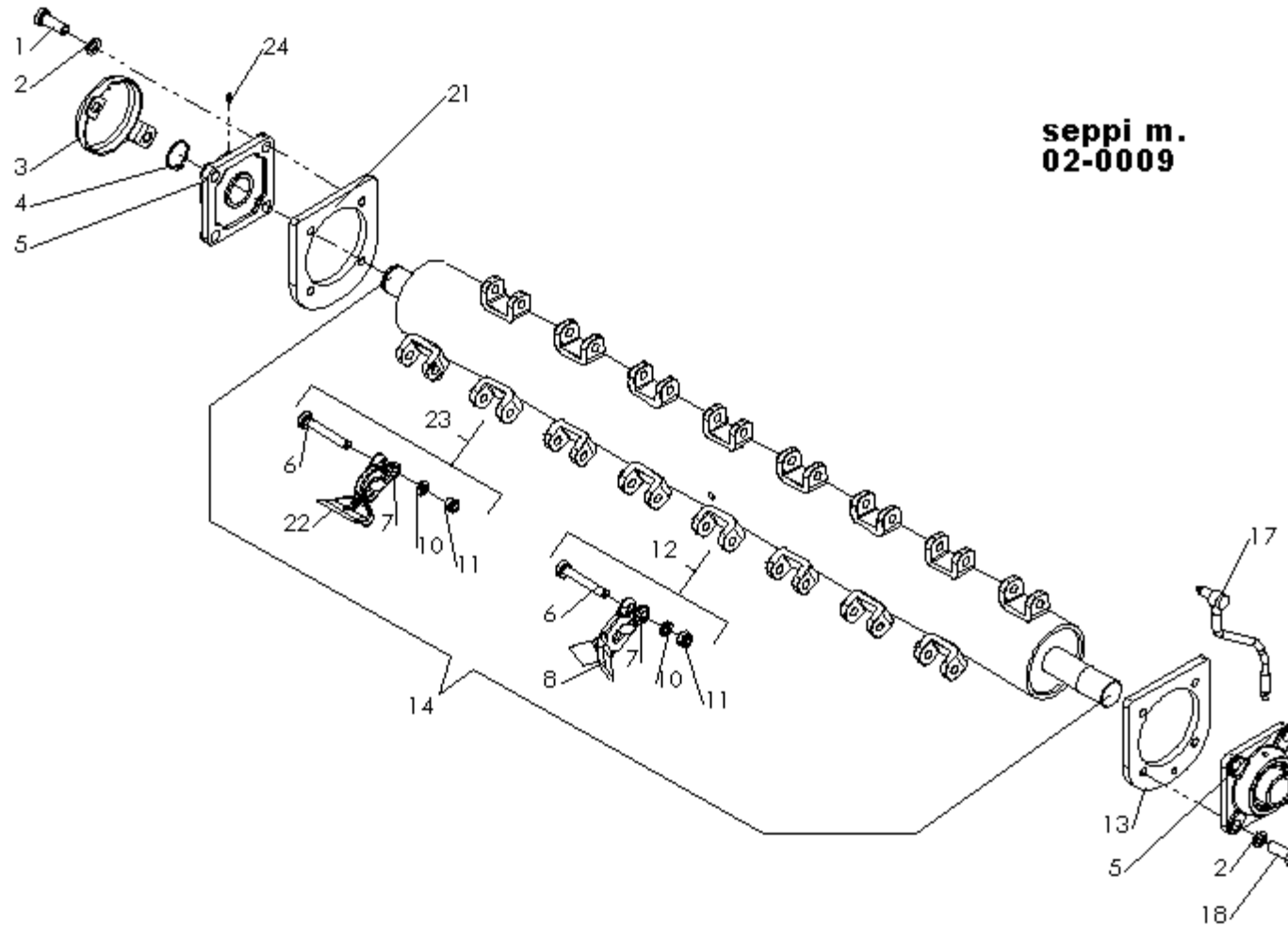
Pos.	Code	Description	Descrizione	Beschreibung	Description	Descripción	Info
001	11301036	CPL FRAME SML 200 OPT .208	TELAIO SML OPT.208 L=200	KPL RAHMEN SML L=200 OPT 208	CHASS.CPL SML 200 OPT .208	CHASIS SML OPT.208 L=200	
001	11301036	CPL FRAME SML 200 OPT .208	TELAIO SML OPT.208 L=200	KPL RAHMEN SML L=200 OPT 208	CHASS.CPL SML 200 OPT .208	CHASIS SML OPT.208 L=200	
001	11301037	CPL FRAME SML 105 OPT .224	TELAIO SML OPT.224 L=105	KPL RAHMEN SML L=105 OPT 224	CHASS.CPL SML 105 OPT .224	CHASIS SML OPT.224 L=105	
001	11301037	CPL FRAME SML 105 OPT .224	TELAIO SML OPT.224 L=105	KPL RAHMEN SML L=105 OPT 224	CHASS.CPL SML 105 OPT .224	CHASIS SML OPT.224 L=105	
001	11301038	CPL FRAME SML 125 OPT .224	TELAIO SML OPT.224 L=125	KPL RAHMEN SML L=125 OPT 224	CHASS.CPL SML 125 OPT .224	CHASIS SML OPT.224 L=125	
001	11301038	CPL FRAME SML 125 OPT .224	TELAIO SML OPT.224 L=125	KPL RAHMEN SML L=125 OPT 224	CHASS.CPL SML 125 OPT .224	CHASIS SML OPT.224 L=125	
001	11301039	CPL FRAME SML 155 OPT .224	TELAIO SML OPT.224 L=155	KPL RAHMEN SML L=155 OPT 224	CHASS.CPL SML 155 OPT .224	CHASIS SML OPT.224 L=155	
001	11301039	CPL FRAME SML 155 OPT .224	TELAIO SML OPT.224 L=155	KPL RAHMEN SML L=155 OPT 224	CHASS.CPL SML 155 OPT .224	CHASIS SML OPT.224 L=155	
001	11301040	CPL FRAME SML 175 OPT .224	TELAIO SML OPT.224 L=175	KPL RAHMEN SML L=175 OPT 224	CHASS.CPL SML 175 OPT .224	CHASIS SML OPT.224 L=175	
001	11301040	CPL FRAME SML 175 OPT .224	TELAIO SML OPT.224 L=175	KPL RAHMEN SML L=175 OPT 224	CHASS.CPL SML 175 OPT .224	CHASIS SML OPT.224 L=175	
001	11301041	CPL FRAME SML 200 OPT .224	TELAIO SML OPT.224 L=200	KPL RAHMEN SML L=200 OPT 224	CHASS.CPL SML 200 OPT .224	CHASIS SML OPT.224 L=200	
001	11301041	CPL FRAME SML 200 OPT .224	TELAIO SML OPT.224 L=200	KPL RAHMEN SML L=200 OPT 224	CHASS.CPL SML 200 OPT .224	CHASIS SML OPT.224 L=200	
001	11301042	CPL FRAME SML 225 OPT .224	TELAIO SML OPT.224 L=225	KPL RAHMEN SML L=225 OPT 224	CHASS.CPL SML 225 OPT .224	CHASIS SML OPT.224 L=225	
001	11301042	CPL FRAME SML 225 OPT .224	TELAIO SML OPT.224 L=225	KPL RAHMEN SML L=225 OPT 224	CHASS.CPL SML 225 OPT .224	CHASIS SML OPT.224 L=225	
001	11301045	FRAME CPL X OPT 313 ATT REVER L=105	TELAIO CPL X OPT 313 ATT REVER L=105	KPL RAHMEN F. OPT 313 L=105	CHASSIS CPL X OPT 313 ATT REVER L=105	CHASIS CPL X OPT 313 ATT REVER L=105	
001	11301045	FRAME CPL X OPT 313 ATT REVER L=105	TELAIO CPL X OPT 313 ATT REVER L=105	KPL RAHMEN F. OPT 313 L=105	CHASSIS CPL X OPT 313 ATT REVER L=105	CHASIS CPL X OPT 313 ATT REVER L=105	
001	11301046	FRAME CPL X OPT 313 ATT REVER L=125	TELAIO CPL X OPT 313 ATT REVER L=125	KPL RAHMEN F. OPT 313 L=125	CHASSIS CPL X OPT 313 ATT REVER L=125	CHASIS CPL X OPT 313 ATT REVER L=125	
001	11301046	FRAME CPL X OPT 313 ATT REVER L=125	TELAIO CPL X OPT 313 ATT REVER L=125	KPL RAHMEN F. OPT 313 L=125	CHASSIS CPL X OPT 313 ATT REVER L=125	CHASIS CPL X OPT 313 ATT REVER L=125	
001	11301047	FRAME CPL X OPT 313 ATT REVER L=155	TELAIO CPL X OPT 313 ATT REVER L=155	KPL RAHMEN F. OPT 313 L=155	CHASSIS CPL X OPT 313 ATT REVER L=155	CHASIS CPL X OPT 313 ATT REVER L=155	
001	11301047	FRAME CPL X OPT 313 ATT REVER L=155	TELAIO CPL X OPT 313 ATT REVER L=155	KPL RAHMEN F. OPT 313 L=155	CHASSIS CPL X OPT 313 ATT REVER L=155	CHASIS CPL X OPT 313 ATT REVER L=155	
001	11301048	FRAME CPL X OPT 313 ATT REVER L=175	TELAIO CPL X OPT 313 ATT REVER L=175	KPL RAHMEN F. OPT 313 L=175	CHASSIS CPL X OPT 313 ATT REVER L=175	CHASIS CPL X OPT 313 ATT REVER L=175	
001	11301048	FRAME CPL X OPT 313 ATT REVER L=175	TELAIO CPL X OPT 313 ATT REVER L=175	KPL RAHMEN F. OPT 313 L=175	CHASSIS CPL X OPT 313 ATT REVER L=175	CHASIS CPL X OPT 313 ATT REVER L=175	
001	11301049	FRAME CPL X OPT 313 ATT REVER L=200	TELAIO CPL X OPT 313 ATT REVER L=200	KPL RAHMEN F. OPT 313 L=200	CHASSIS CPL X OPT 313 ATT REVER L=200	CHASIS CPL X OPT 313 ATT REVER L=200	
001	11301049	FRAME CPL X OPT 313 ATT REVER L=200	TELAIO CPL X OPT 313 ATT REVER L=200	KPL RAHMEN F. OPT 313 L=200	CHASSIS CPL X OPT 313 ATT REVER L=200	CHASIS CPL X OPT 313 ATT REVER L=200	
001	11301050	FRAME SML L=105 X SKID STEAR(OPT 220)	TELAIO SML L=105 X SKID STEAR(OPT 220)	RAHMEN SML L=105 F. SKID STEER OPT 220	CHASSIS SML L=105 X SKID STEAR(OPT 220)	CHASIS SML L=105 X SKID STEAR(OPT 220)	
001	11301050	FRAME SML L=105 X SKID STEAR(OPT 220)	TELAIO SML L=105 X SKID STEAR(OPT 220)	RAHMEN SML L=105 F. SKID STEER OPT 220	CHASSIS SML L=105 X SKID STEAR(OPT 220)	CHASIS SML L=105 X SKID STEAR(OPT 220)	

Pos.	Code	Description	Descrizione	Beschreibung	Description	Descripción	Info
001	11301090	FRAME CPL X OPT 313 + 106 L=175	TELAIO CPL X OPT 313 + 106 L=175	KPL RAHMEN F. OPT 313 + 106 L=175	CHASSIS CPL X OPT 313 + 106 L=175	CHASIS CPL X OPT 313 + 106 L=175	
001	11301090	FRAME CPL X OPT 313 + 106 L=175	TELAIO CPL X OPT 313 + 106 L=175	KPL RAHMEN F. OPT 313 + 106 L=175	CHASSIS CPL X OPT 313 + 106 L=175	CHASIS CPL X OPT 313 + 106 L=175	
001	11301094	CPL FRAME SML X OPT 313 + 106 L=200	GR TELAIO SML X OPT 313 + 106 L=200	RAHMENGR. SML F. OPT 313+106 L=200	CHASS. CPL SML X OPT 313 + 106 L=200	CHASIS SML X OPT 313 + 106 L=200	
001	11301094	CPL FRAME SML X OPT 313 + 106 L=200	GR TELAIO SML X OPT 313 + 106 L=200	RAHMENGR. SML F. OPT 313+106 L=200	CHASS. CPL SML X OPT 313 + 106 L=200	CHASIS SML X OPT 313 + 106 L=200	
002	96605721	BOLT TE M 08X030 UNI 5739 8.8 ZN	VITE TE M 8X 30 UNI 5739 8.8 ZN	SCHRAUBE TE M 8 X 30 UNI 5739 8,8 ZN	VIS TE M 08X030 UNI 5739 8.8 ZN	TORNILLO TE M 8X 30 UNI 5739 8.8 ZN	
002	96605721	BOLT TE M 08X030 UNI 5739 8.8 ZN	VITE TE M 8X 30 UNI 5739 8.8 ZN	SCHRAUBE TE M 8 X 30 UNI 5739 8,8 ZN	VIS TE M 08X030 UNI 5739 8.8 ZN	TORNILLO TE M 8X 30 UNI 5739 8.8 ZN	
003	13010033	SIDE RUBBER PROTECTION F.SIDE	PROTEZIONE LATERALE IN GOMMA SU FIANCATA	SEITLICHER GUMMISCHUTZ	PROTECTION DE COTE EN VOLET P.COTE'	PROTECCION LATERAL EN GOMA LATERAL	
003	13010033	SIDE RUBBER PROTECTION F.SIDE	PROTEZIONE LATERALE IN GOMMA SU FIANCATA	SEITLICHER GUMMISCHUTZ	PROTECTION DE COTE EN VOLET P.COTE'	PROTECCION LATERAL EN GOMA LATERAL	
004	97708871	EXT.GALVANIZED TOOTHED WASHER 5,3X10	ROSETTA DENTATA ESTERNA 5,3X10 ZN	AUSS. VERZINKT. ZAHNSCHEIBE 5,3X10	RONDELLE DENTEE EXT.ZINGUEE 5,3X10	ARANDELA DENTADA EXTERNA 5,3X10 ZN	
004	97708871	EXT.GALVANIZED TOOTHED WASHER 5,3X10	ROSETTA DENTATA ESTERNA 5,3X10 ZN	AUSS. VERZINKT. ZAHNSCHEIBE 5,3X10	RONDELLE DENTEE EXT.ZINGUEE 5,3X10	ARANDELA DENTADA EXTERNA 5,3X10 ZN	
005	97971821	LOW.SELFBLOCK.NUT M 10-6S UNI7474	DADO AUTOBLOC.BASSO M10-6S UNI7474	SELBSTSICHER.MUTTER M10-6S UNI7474 NIED.	ECROU AUTOSERR.M 10-6S UNI7474	TUERCA AUTO BLOQ. BAJA M 10-6S UNI7474	
005	97971821	LOW.SELFBLOCK.NUT M 10-6S UNI7474	DADO AUTOBLOC.BASSO M10-6S UNI7474	SELBSTSICHER.MUTTER M10-6S UNI7474 NIED.	ECROU AUTOSERR.M 10-6S UNI7474	TUERCA AUTO BLOQ. BAJA M 10-6S UNI7474	
006	11310012	GALVANIZED SIDE PROT.SML DX	RIPARO LATERALE SML DX ZINCATO	SEIT. VERZINKTER SCHUTZ SML RX	PROTECTION LAT.SML DX ZINGUE	PROTECCIONECCION LAT.SML DX GALVANIZADA	
006	11310012	GALVANIZED SIDE PROT.SML DX	RIPARO LATERALE SML DX ZINCATO	SEIT. VERZINKTER SCHUTZ SML RX	PROTECTION LAT.SML DX ZINGUE	PROTECCIONECCION LAT.SML DX GALVANIZADA	
007	97095111	SMOOTH WASHER UNI 6592 - 10,5X21X2,0 ZN	ROSETTA PIANA UNI 6592- 10,5X21X2,0 ZN	GLATTE SCHEIBE UNI 6592 - 10,5X21X2 ZN	RONDELL.LISSE UNI 6592 - 10,5X21X2,0 ZN	ARANDELA PLANA UNI 6592- 10,5X21X2,0 ZN	
007	97095111	SMOOTH WASHER UNI 6592 - 10,5X21X2,0 ZN	ROSETTA PIANA UNI 6592- 10,5X21X2,0 ZN	GLATTE SCHEIBE UNI 6592 - 10,5X21X2 ZN	RONDELL.LISSE UNI 6592 - 10,5X21X2,0 ZN	ARANDELA PLANA UNI 6592- 10,5X21X2,0 ZN	
008	96607721	BOLT TE M 10X030 UNI 5739 8.8 ZN	VITE TE M10X 30 UNI 5739 8.8 ZN	SCHRAUBE TE M 10 X 30 UNI 5739 8,8 ZN	VIS TE M 10X030 UNI 5739 8.8 ZN	TORNILLO TE M10X 30 UNI 5739 8.8 ZN	
008	96607721	BOLT TE M 10X030 UNI 5739 8.8 ZN	VITE TE M10X 30 UNI 5739 8.8 ZN	SCHRAUBE TE M 10 X 30 UNI 5739 8,8 ZN	VIS TE M 10X030 UNI 5739 8.8 ZN	TORNILLO TE M10X 30 UNI 5739 8.8 ZN	
009	97494931	WASHER ELSP ASA B- 27 - 10,2X18,1X2,2 ZN	ROSETTA ELSP ASA B-27- 10,2X18,1X2,2 ZN	SCHEIBE ELSP ASA B-27 - 10,2X18,1X2,2 ZN	RONDELLE ELS ASA B- 27 - 10,2X18,1X2,2 Z	ARANDELA ELSP ASA B-27- 10,2X18,1X2,2 ZN	
009	97494931	WASHER ELSP ASA B- 27 - 10,2X18,1X2,2 ZN	ROSETTA ELSP ASA B-27- 10,2X18,1X2,2 ZN	SCHEIBE ELSP ASA B-27 - 10,2X18,1X2,2 ZN	RONDELLE ELS ASA B- 27 - 10,2X18,1X2,2 Z	ARANDELA ELSP ASA B-27- 10,2X18,1X2,2 ZN	
010	97971721	LOW.SELFBLOCK.NUT M 8-6S UNI7474	DADO AUTOBLOC.BASSO M 8-6S UNI7474	SELBSTSICHER.MUTTER M 8-6S UNI7474 NIED.	ECROU AUTOSERR.M 8-6S UNI7474	TUERCA AUTO BLOQ. BAJA M 8-6S UNI7474	
010	97971721	LOW.SELFBLOCK.NUT M 8-6S UNI7474	DADO AUTOBLOC.BASSO M 8-6S UNI7474	SELBSTSICHER.MUTTER M 8-6S UNI7474 NIED.	ECROU AUTOSERR.M 8-6S UNI7474	TUERCA AUTO BLOQ. BAJA M 8-6S UNI7474	
011	13010006	CPL SH.STONE GUARD (L= 125)	ASTA BANDELLE CPL L=125	KPL STAB F. SCHUTZPLATTEN L= 125	BARRE VOL.MET.CPL (L= 125)	BARRA CPL PARA PLACAS (L= 125)	
011	13010006	CPL SH.STONE GUARD (L= 125)	ASTA BANDELLE CPL L=125	KPL STAB F. SCHUTZPLATTEN L= 125	BARRE VOL.MET.CPL (L= 125)	BARRA CPL PARA PLACAS (L= 125)	
011	13010008	CPL SH.STONE GUARD (L= 175)	ASTA BANDELLE CPL L=175	KPL STAB F. SCHUTZPLATTEN L= 175	BARRE VOL.MET.CPL (L= 175)	BARRA CPL PARA PLACAS (L= 175)	
011	13010008	CPL SH.STONE GUARD (L= 175)	ASTA BANDELLE CPL L=175	KPL STAB F. SCHUTZPLATTEN L= 175	BARRE VOL.MET.CPL (L= 175)	BARRA CPL PARA PLACAS (L= 175)	

Pos.	Code	Description	Descrizione	Beschreibung	Description	Descripción	Info
011	13010009	CPL SH.STONE GUARD (L=200)	ASTA BANDELLE CPL L=200	KPL STAB F. SCHUTZPLATTEN L=200	BARRE VOL.MET.CPL (L=200)	BARRA CPL PARA PLACAS (L=200)	
011	13010009	CPL SH.STONE GUARD (L=200)	ASTA BANDELLE CPL L=200	KPL STAB F. SCHUTZPLATTEN L=200	BARRE VOL.MET.CPL (L=200)	BARRA CPL PARA PLACAS (L=200)	
011	13010010	CPL SH.STONE GUARD (L=225)	ASTA BANDELLE CPL L=225	KPL STAB F. SCHUTZPLATTEN L= 225	BARRE VOL.MET.CPL (L=225)	BARRA CPL PARA PLACAS (L=225)	
011	13010010	CPL SH.STONE GUARD (L=225)	ASTA BANDELLE CPL L=225	KPL STAB F. SCHUTZPLATTEN L= 225	BARRE VOL.MET.CPL (L=225)	BARRA CPL PARA PLACAS (L=225)	
011	15010005	CPL SH.STONE GUARD (L=105)	ASTA BANDELLE CPL L=105	KPL STAB F. SCHUTZPLATTEN L= 105	BARRE VOL.MET.CPL (L=105)	BARRA CPL PARA PLACAS (L=105)	
011	15010005	CPL SH.STONE GUARD (L=105)	ASTA BANDELLE CPL L=105	KPL STAB F. SCHUTZPLATTEN L= 105	BARRE VOL.MET.CPL (L=105)	BARRA CPL PARA PLACAS (L=105)	
011	15010008	CPL SH.STONE GUARD (L=155)	ASTA BANDELLE CPL L=155	KPL STAB F. SCHUTZPLATTEN L= 155	BARRE VOL.MET.CPL (L=155)	BARRA CPL PARA PLACAS (L=155)	
011	15010008	CPL SH.STONE GUARD (L=155)	ASTA BANDELLE CPL L=155	KPL STAB F. SCHUTZPLATTEN L= 155	BARRE VOL.MET.CPL (L=155)	BARRA CPL PARA PLACAS (L=155)	
012	13010038	STONE GUARD MODEL-II	BANDELLA PARASASSI II SERIE	STEINSCHUTZKLAPPE SERIE II. ' 98	DEFLECTEUR MODEL- II	PLACAS PROTECCION PIEDRAS II SERIE	
012	13010038	STONE GUARD MODEL-II	BANDELLA PARASASSI II SERIE	STEINSCHUTZKLAPPE SERIE II. ' 98	DEFLECTEUR MODEL- II	PLACAS PROTECCION PIEDRAS II SERIE	
013	97277980	OIL SEAL OR 012/2037 9,25X1,78	ANELLO O-RING OR 012/2037 9,25X1,78	O-DICHTUNGSRING 012/2037 9,25 X 1,78	BAGUE ETACH. OR 012/2037 9,25X1,78	RETEN 012/2037 9,25X1,78	
013	97277980	OIL SEAL OR 012/2037 9,25X1,78	ANELLO O-RING OR 012/2037 9,25X1,78	O-DICHTUNGSRING 012/2037 9,25 X 1,78	BAGUE ETACH. OR 012/2037 9,25X1,78	RETEN 012/2037 9,25X1,78	
014	13010039	PROT.COVER FOR GREASING HOLE	COPERCHIO PROTEZIONE FORO INGRASSAGGIO	SCHUTZDECKEL F. SCHMIERLOCH	COUVERCLE PROT. POUR TROU GRAISSEUR	TAPA X PROT. ORIFICIO LUBRICACION	
014	13010039	PROT.COVER FOR GREASING HOLE	COPERCHIO PROTEZIONE FORO INGRASSAGGIO	SCHUTZDECKEL F. SCHMIERLOCH	COUVERCLE PROT. POUR TROU GRAISSEUR	TAPA X PROT. ORIFICIO LUBRICACION	
015	96612221	BOLT TE M 14X030 UNI 5739 8.8 ZN	VITE TE M14X 30 UNI 5739 8.8 ZN	SCHRAUBE TE M 14 X 30 UNI 5739 8,8 ZN	VIS TE M 14X030 UNI 5739 8.8 ZN	TORNILLO TE M14X 30 UNI 5739 8.8 ZN	
015	96612221	BOLT TE M 14X030 UNI 5739 8.8 ZN	VITE TE M14X 30 UNI 5739 8.8 ZN	SCHRAUBE TE M 14 X 30 UNI 5739 8,8 ZN	VIS TE M 14X030 UNI 5739 8.8 ZN	TORNILLO TE M14X 30 UNI 5739 8.8 ZN	
015	96612321	BOLT TE M 14X035 UNI 5739 8.8 ZN	VITE TE M14X 35 UNI 5739 8.8 ZN	SCHRAUBE TE M 14 X 35 UNI 5739 8,8 ZN	VIS TE M 14X035 UNI 5739 8.8 ZN	TORNILLO TE M14X 35 UNI 5739 8.8 ZN	
015	96612321	BOLT TE M 14X035 UNI 5739 8.8 ZN	VITE TE M14X 35 UNI 5739 8.8 ZN	SCHRAUBE TE M 14 X 35 UNI 5739 8,8 ZN	VIS TE M 14X035 UNI 5739 8.8 ZN	TORNILLO TE M14X 35 UNI 5739 8.8 ZN	
016	97344321	BOLT TSEI M 08X030 UNI5933 10.9	VITE TSEI M 8X 30 UNI 5933 10.9 ZN	SCHRAUBE TSEI M 8 X 30 UNI5933 10,9 ZN	VIS TSEI M 08X030 UNI5933 10.9	TORNILLO TSEI M 8X 30 UNI 5933 10.9 ZN	
016	97344321	BOLT TSEI M 08X030 UNI5933 10.9	VITE TSEI M 8X 30 UNI 5933 10.9 ZN	SCHRAUBE TSEI M 8 X 30 UNI5933 10,9 ZN	VIS TSEI M 08X030 UNI5933 10.9	TORNILLO TSEI M 8X 30 UNI 5933 10.9 ZN	
017	11301028	FEATHER FOR UPPER SIDE SML	LINGUELLA PER FIANCATA ALTA SML	PASSFEDER F. OBERE SEITE SML	LANGUETTE P.COTE HAUTE SML	LENGÜETA PARA LATERAL ALTO SML	
017	11301028	FEATHER FOR UPPER SIDE SML	LINGUELLA PER FIANCATA ALTA SML	PASSFEDER F. OBERE SEITE SML	LANGUETTE P.COTE HAUTE SML	LENGÜETA PARA LATERAL ALTO SML	
018	97494831	WASHER ELSP ASA B- 27 - 08,2X14,8X2 ZN	ROSETTA ELSP ASA B-27- 8,2X14,8X2 ZN	SCHEIBE ELSP ASA B- 27 - 08,2X14,8X2 ZN	RONDELLE ELS ASA B- 27 - 08,2X14,8X2 ZN	ARANDELA ELSP ASA B-27- 8,2X14,8X2 ZN	
018	97494831	WASHER ELSP ASA B- 27 - 08,2X14,8X2 ZN	ROSETTA ELSP ASA B-27- 8,2X14,8X2 ZN	SCHEIBE ELSP ASA B- 27 - 08,2X14,8X2 ZN	RONDELLE ELS ASA B- 27 - 08,2X14,8X2 ZN	ARANDELA ELSP ASA B-27- 8,2X14,8X2 ZN	
018	97494834	WASHER ELSP ASA B- 27 - 08.2X14,8X2 N	ROSETTA ELSP ASA B-27- 8,2X14,8X2 N	SCHEIBE ELSP ASA B- 27 - 08.2X14,8X2 N	RONDELLE ELS ASA B- 27 - 08.2X14,8X2 N	ARANDELA ELSP ASA B-27- 8,2X14,8X2 N	
018	97494834	WASHER ELSP ASA B- 27 - 08.2X14,8X2 N	ROSETTA ELSP ASA B-27- 8,2X14,8X2 N	SCHEIBE ELSP ASA B- 27 - 08.2X14,8X2 N	RONDELLE ELS ASA B- 27 - 08.2X14,8X2 N	ARANDELA ELSP ASA B-27- 8,2X14,8X2 N	

Pos.	Code	Description	Descrizione	Beschreibung	Description	Descripción	Info
019	96964401	BOLT AUTOF. 4,8X9,5 UNI 6954	VITE AUTOF. 4,8X9,5 UNI 6954	SCHRAUBE 4,8X9,5 UNI 6954	VIS AUTOF. 4,8X9,5 UNI 6954	TORNILLO AUTOF. 4,8X9,5 UNI 6954	
019	96964401	BOLT AUTOF. 4,8X9,5 UNI 6954	VITE AUTOF. 4,8X9,5 UNI 6954	SCHRAUBE 4,8X9,5 UNI 6954	VIS AUTOF. 4,8X9,5 UNI 6954	TORNILLO AUTOF. 4,8X9,5 UNI 6954	
020	97972321	LOW.SELFBLOCK.NUT M 14-6S UNI7474	DADO AUTOBLOC.BASSO M14-6S UNI7474	SELBSTSICHER.MUTTER M14-6S UNI7474 NIED.	ECROU AUTOSERR.M 14-6S UNI7474	TUERCA AUTO BLOQ. BAJA M 14-6S UNI7474	
020	97972321	LOW.SELFBLOCK.NUT M 14-6S UNI7474	DADO AUTOBLOC.BASSO M14-6S UNI7474	SELBSTSICHER.MUTTER M14-6S UNI7474 NIED.	ECROU AUTOSERR.M 14-6S UNI7474	TUERCA AUTO BLOQ. BAJA M 14-6S UNI7474	
023	14008021	COUNTER PLATE F.RUBBER (L= 125)	CONTROPIASTRA X GOMMA L=125	GEGENLEISTE F. GUMMISCHUTZ L=125	CONTRE-PLAQUE DE VOLET (L= 125)	CONTRA PLACA P.GOMA (L= 125)	
023	14008021	COUNTER PLATE F.RUBBER (L= 125)	CONTROPIASTRA X GOMMA L=125	GEGENLEISTE F. GUMMISCHUTZ L=125	CONTRE-PLAQUE DE VOLET (L= 125)	CONTRA PLACA P.GOMA (L= 125)	
023	14008023	COUNTER PLATE F.RUBBER (L= 175)	CONTROPIASTRA X GOMMA L=175	GEGENLEISTE F. GUMMISCHUTZ L=175	CONTRE-PLAQUE DE VOLET (L= 175)	CONTRA PLACA P.GOMA (L= 175)	
023	14008023	COUNTER PLATE F.RUBBER (L= 175)	CONTROPIASTRA X GOMMA L=175	GEGENLEISTE F. GUMMISCHUTZ L=175	CONTRE-PLAQUE DE VOLET (L= 175)	CONTRA PLACA P.GOMA (L= 175)	
023	14008024	COUNTER PLATE F.RUBBER (L= 200)	CONTROPIASTRA X GOMMA L=200	GEGENLEISTE F. GUMMISCHUTZ L=200	CONTRE-PLAQUE DE VOLET (L= 200)	CONTRA PLACA P.GOMA (L= 200)	
023	14008024	COUNTER PLATE F.RUBBER (L= 200)	CONTROPIASTRA X GOMMA L=200	GEGENLEISTE F. GUMMISCHUTZ L=200	CONTRE-PLAQUE DE VOLET (L= 200)	CONTRA PLACA P.GOMA (L= 200)	
023	15008053	COUNTER PLATE F.RUBBER (L= 105)	CONTROPIASTRA X GOMMA L=105	GEGENLEISTE F. GUMMISCHUTZ L=105	CONTRE-PLAQUE DE VOLET (L= 105)	CONTRA PLACA P.GOMA (L= 105)	
023	15008053	COUNTER PLATE F.RUBBER (L= 105)	CONTROPIASTRA X GOMMA L=105	GEGENLEISTE F. GUMMISCHUTZ L=105	CONTRE-PLAQUE DE VOLET (L= 105)	CONTRA PLACA P.GOMA (L= 105)	
023	15008056	COUNTER PLATE F.RUBBER (L= 155)	CONTROPIASTRA X GOMMA L=155	GEGENLEISTE F. GUMMISCHUTZ L=155	CONTRE-PLAQUE DE VOLET (L= 155)	CONTRA PLACA P.GOMA (L= 155)	
023	15008056	COUNTER PLATE F.RUBBER (L= 155)	CONTROPIASTRA X GOMMA L=155	GEGENLEISTE F. GUMMISCHUTZ L=155	CONTRE-PLAQUE DE VOLET (L= 155)	CONTRA PLACA P.GOMA (L= 155)	
024	11310020	RUBB.PROT.F.HATC.SML-105	GOMMA PER COFANO SML-105	GUMMISCHUTZ F.HAUBE SML (L=105)	PROT.CAOUT.P.CAP.SML-105	PROTECCION DE GOMA X CAPOT SML- 105	
024	11310020	RUBB.PROT.F.HATC.SML-105	GOMMA PER COFANO SML-105	GUMMISCHUTZ F.HAUBE SML (L=105)	PROT.CAOUT.P.CAP.SML-105	PROTECCION DE GOMA X CAPOT SML- 105	
024	11310021	RUBB.PROT.F.HATC.SML-125	GOMMA PER COFANO SML-125	GUMMISCHUTZ F.HAUBE SML (L=125)	PROT.CAOUT.P.CAP.SML-125	PROTECCION DE GOMA X CAPOT SML- 125	
024	11310021	RUBB.PROT.F.HATC.SML-125	GOMMA PER COFANO SML-125	GUMMISCHUTZ F.HAUBE SML (L=125)	PROT.CAOUT.P.CAP.SML-125	PROTECCION DE GOMA X CAPOT SML- 125	
024	11310022	RUBB.PROT.F.HATC.SML-155	GOMMA PER COFANO SML-155	GUMMISCHUTZ F.HAUBE SML (L=155)	PROT.CAOUT.P.CAP.SML-155	PROTECCION DE GOMA X CAPOT SML- 155	
024	11310022	RUBB.PROT.F.HATC.SML-155	GOMMA PER COFANO SML-155	GUMMISCHUTZ F.HAUBE SML (L=155)	PROT.CAOUT.P.CAP.SML-155	PROTECCION DE GOMA X CAPOT SML- 155	
024	11310023	RUBB.PROT.F.HATC.SML-175 (6687551)	GOMMA PER COFANO SML-175	GUMMISCHUTZ F.HAUBE SML (L=175)	PROT.CAOUT.P.CAP.SML-175	PROTECCION DE GOMA X CAPOT SML- 175	
024	11310023	RUBB.PROT.F.HATC.SML-175 (6687551)	GOMMA PER COFANO SML-175	GUMMISCHUTZ F.HAUBE SML (L=175)	PROT.CAOUT.P.CAP.SML-175	PROTECCION DE GOMA X CAPOT SML- 175	
024	11310024	RUBBER PROT. FOR HATCH SML-200 (6687552)	GOMMA PER COFANO SML-200	GUMMISCHUTZ F. HAUBE SML (L=200)	PROTECTION CAOUTCHOUC PARA CAPOT SML-200	PROTECCION DE GOMA X CAPOT SML- 200	
024	11310024	RUBBER PROT. FOR HATCH SML-200 (6687552)	GOMMA PER COFANO SML-200	GUMMISCHUTZ F. HAUBE SML (L=200)	PROTECTION CAOUTCHOUC PARA CAPOT SML-200	PROTECCION DE GOMA X CAPOT SML- 200	
026	11310011	GALVANIZED SIDE PROT.SML SX	RIPARO LATERALE SML SX ZINCATO	SEIT. VERZINKTER SCHUTZ SML LX	PROTECTION LAT.SML SX ZINGUE	PROTECCIONECCION LAT.SML SX GALVANIZADA	
026	11310011	GALVANIZED SIDE PROT.SML SX	RIPARO LATERALE SML SX ZINCATO	SEIT. VERZINKTER SCHUTZ SML LX	PROTECTION LAT.SML SX ZINGUE	PROTECCIONECCION LAT.SML SX GALVANIZADA	

Pos.	Code	Description	Descrizione	Beschreibung	Description	Descripción	Info
027	12010003	BELT PROTECTION SMWA,SML (H 110)	PROTEZIONE CINGHIE SMWA-SML (H110)	KEILRIEMENSCHUTZ SMWA/SML (H=110)	PROT.COURROIE SMWA,SML (H 110)	PROTECCION CORREA SMWA-SML (H110)	
027	12010003	BELT PROTECTION SMWA,SML (H 110)	PROTEZIONE CINGHIE SMWA-SML (H110)	KEILRIEMENSCHUTZ SMWA/SML (H=110)	PROT.COURROIE SMWA,SML (H 110)	PROTECCION CORREA SMWA-SML (H110)	
028	97094921	SMOOTH WASHER M 8 9X24X2 ZN.	RONDELLA GREMBIULINA 9X24X2	SCHEIBE 9X24X2	RONDELLE LISSE M 8 9X24X2 ZN.	ARANDELA 9X24X2	
028	97094921	SMOOTH WASHER M 8 9X24X2 ZN.	RONDELLA GREMBIULINA 9X24X2	SCHEIBE 9X24X2	RONDELLE LISSE M 8 9X24X2 ZN.	ARANDELA 9X24X2	
032	13010034	BLOCKING PLATE PROTECT.SIDE	PIASTRA DI BLOCCAGGIO PROT LATERALE	VERSCHLUSSPLATTE F. SEITENSCHUTZ	PLAQUE DE BLOCAGE PROTECT.COTE	PLACA DE BLOQUE PROTECCIONECC.LADO	
032	13010034	BLOCKING PLATE PROTECT.SIDE	PIASTRA DI BLOCCAGGIO PROT LATERALE	VERSCHLUSSPLATTE F. SEITENSCHUTZ	PLAQUE DE BLOCAGE PROTECT.COTE	PLACA DE BLOQUE PROTECCIONECC.LADO	
034	97095511	SMOOTH WASHER UNI 6592 - 14X28X2,5 ZN	ROSETTA PIANA UNI 6592-14,0X28X2,5 ZN	GLATTE SCHEIBE UNI 6592 - 14X28X2,5 ZN	RONDELL.LISSE UNI 6592 - 14X28X2,5 ZN	ARANDELA PLANA UNI 6592-14,0X28X2,5 ZN	
034	97095511	SMOOTH WASHER UNI 6592 - 14X28X2,5 ZN	ROSETTA PIANA UNI 6592-14,0X28X2,5 ZN	GLATTE SCHEIBE UNI 6592 - 14X28X2,5 ZN	RONDELL.LISSE UNI 6592 - 14X28X2,5 ZN	ARANDELA PLANA UNI 6592-14,0X28X2,5 ZN	
034	97494931	WASHER ELSP ASA B- 27 - 10,2X18,1X2,2 ZN	ROSETTA ELSP ASA B-27-10,2X18,1X2,2 ZN	SCHEIBE ELSP ASA B-27 - 10,2X18,1X2,2 ZN	RONDELLE ELS ASA B- 27 - 10,2X18,1X2,2 Z	ARANDELA ELSP ASA B-27-10,2X18,1X2,2 ZN	
034	97494931	WASHER ELSP ASA B- 27 - 10,2X18,1X2,2 ZN	ROSETTA ELSP ASA B-27-10,2X18,1X2,2 ZN	SCHEIBE ELSP ASA B-27 - 10,2X18,1X2,2 ZN	RONDELLE ELS ASA B- 27 - 10,2X18,1X2,2 Z	ARANDELA ELSP ASA B-27-10,2X18,1X2,2 ZN	
035	13010237	STONE GUARD MODEL-II DX	BANDELLA PARASASSI II SERIE DX	STEINSCHUTZKLAPPE SERIE II. RX	DEFLECTEUR MODEL- II	PLACAS PROTECCION PIEDRAS II SERIE DX	
035	13010237	STONE GUARD MODEL-II DX	BANDELLA PARASASSI II SERIE DX	STEINSCHUTZKLAPPE SERIE II. RX	DEFLECTEUR MODEL- II	PLACAS PROTECCION PIEDRAS II SERIE DX	
036	13010238	STONE GUARD MODEL-II	BANDELLA PARASASSI LARGA 50 MM	STEINSCHUTZKLAPPE 50 MM BREIT	DEFLECTEUR MODEL- II	PLACAS PROTECCION PIEDRAS II SERIE	
036	13010238	STONE GUARD MODEL-II	BANDELLA PARASASSI LARGA 50 MM	STEINSCHUTZKLAPPE 50 MM BREIT	DEFLECTEUR MODEL- II	PLACAS PROTECCION PIEDRAS II SERIE	

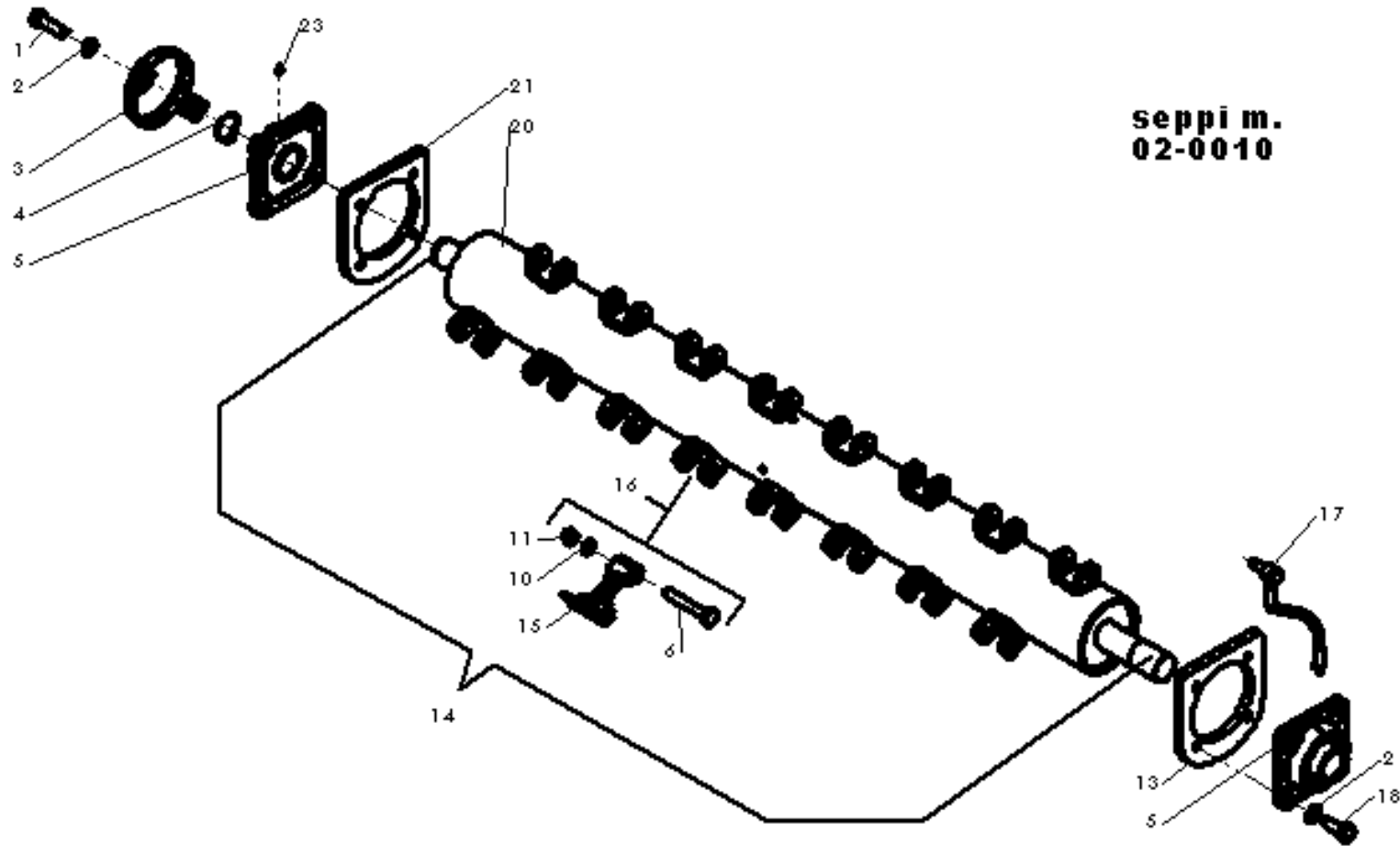


Pos.	Code	Description	Descrizione	Beschreibung	Description	Descripción	Info
001	96612527	BOLT TE M 14X045 UNI 5739 8.8 BLACK	VITE TE M14X 45 UNI 5739 8.8 NERA	SCHRAUBE TE M 14 X 45 UNI 5739 8,8 SCHW	VIS TE M 14X045 UNI 5739 8.8 NOIRE	TORNILLO TE M14X 45 UNI 5739 8.8 NEGRO	
001	96612527	BOLT TE M 14X045 UNI 5739 8.8 BLACK	VITE TE M14X 45 UNI 5739 8.8 NERA	SCHRAUBE TE M 14 X 45 UNI 5739 8,8 SCHW	VIS TE M 14X045 UNI 5739 8.8 NOIRE	TORNILLO TE M14X 45 UNI 5739 8.8 NEGRO	
001	97052121	BOLT TE M 14X1,5X045 UNI 5740 8.8 ZN	VITE TE M14X 45 X 1,5 8.8 ZN U5740	SCHRAUBE TE M 14 X 1,5 X 45 UNI 5740 8,8	VIS TE M 14X1,5X045 UNI 5740 8.8 ZN	TORNILLO TE M14X 45 X 1,5 8.8 ZN U5740	
001	97052121	BOLT TE M 14X1,5X045 UNI 5740 8.8 ZN	VITE TE M14X 45 X 1,5 8.8 ZN U5740	SCHRAUBE TE M 14 X 1,5 X 45 UNI 5740 8,8	VIS TE M 14X1,5X045 UNI 5740 8.8 ZN	TORNILLO TE M14X 45 X 1,5 8.8 ZN U5740	
002	97495134	WASHER ELSP ASA B- 27 - 14,2X24,1X3 N	ROSETTA ELSP ASA B-27- 14,2X24,1X3 N	SCHEIBE ELSP ASA B- 27 - 14,2X24,1X3 N	RONDELLE ELS ASA B- 27 - 14,2X24,1X3 N	ARANDELA ELSP ASA B-27- 14,2X24,1X3 N	
002	97495134	WASHER ELSP ASA B- 27 - 14,2X24,1X3 N	ROSETTA ELSP ASA B-27- 14,2X24,1X3 N	SCHEIBE ELSP ASA B- 27 - 14,2X24,1X3 N	RONDELLE ELS ASA B- 27 - 14,2X24,1X3 N	ARANDELA ELSP ASA B-27- 14,2X24,1X3 N	
003	11310025	CPL COVER F. BEARING SML 105-200	COPERCHIO CPL CUSCINETTO SML 105-200	KPL. DECKEL F. LAGER SML 105-200	COUVERT CPL P. ROULEMENT SML 105-200	TAPA CPL X COJINETE SML 105-200	
003	11310025	CPL COVER F. BEARING SML 105-200	COPERCHIO CPL CUSCINETTO SML 105-200	KPL. DECKEL F. LAGER SML 105-200	COUVERT CPL P. ROULEMENT SML 105-200	TAPA CPL X COJINETE SML 105-200	
004	96867476	EL.RING F.SHAFTS 40X1,75	ANELLO EL. PER ALBERI 40X1,75	WELLENSPANNRING 40X1,75	BAGUE ARRET P.ARBRES 40X1,75	RETEN EL.P.EJES 40X1,75	
004	96867476	EL.RING F.SHAFTS 40X1,75	ANELLO EL. PER ALBERI 40X1,75	WELLENSPANNRING 40X1,75	BAGUE ARRET P.ARBRES 40X1,75	RETEN EL.P.EJES 40X1,75	
005	11302021	SUPPORT NSK-UCF 208	SUPPORTO NSK-UCF 208	LAGERHALTER NSK-UCF 208	SUPPORT NSK-UCF 208	SOPORTE NSK-UCF 208	
005	11302021	SUPPORT NSK-UCF 208	SUPPORTO NSK-UCF 208	LAGERHALTER NSK-UCF 208	SUPPORT NSK-UCF 208	SOPORTE NSK-UCF 208	
006	11302004	BOLT TE M12X 80 UNI 5737 10.9 NERA	VITE TE M12X 80 UNI 5737 10.9 NERA	SCHRAUBE TE M 12X 80 UNI 5737 10,9 SCHW	VIS TE M12X 80 UNI 5737 10.9 NERA	TORNILLO TE M12X 80 UNI 5737 10.9 NERA	
006	11302004	BOLT TE M12X 80 UNI 5737 10.9 NERA	VITE TE M12X 80 UNI 5737 10.9 NERA	SCHRAUBE TE M 12X 80 UNI 5737 10,9 SCHW	VIS TE M12X 80 UNI 5737 10.9 NERA	TORNILLO TE M12X 80 UNI 5737 10.9 NERA	
006	96610735	BOLT TE M 12X075 UNI 5737 8,8 BLACK	VITE TE M12X 75 UNI 5737 8,8 NERA	SCHRAUBE TE M 12 X 75 UNI 5737 8,8 SCHW	VIS TE M 12X075 UNI 5737 8,8 NOIRE	TORNILLO TE M12X 75 UNI 5737 8,8 NEGRO	
006	96610735	BOLT TE M 12X075 UNI 5737 8,8 BLACK	VITE TE M12X 75 UNI 5737 8,8 NERA	SCHRAUBE TE M 12 X 75 UNI 5737 8,8 SCHW	VIS TE M 12X075 UNI 5737 8,8 NOIRE	TORNILLO TE M12X 75 UNI 5737 8,8 NEGRO	
007	13002100	FLAILHOLD.SHAKL.	GRILLO PORTALAME	SCHAEKEL F. MESSER	MANILL.PORTE-COUT.	GRILLETE PORTA CUCHILLA	
007	13002100	FLAILHOLD.SHAKL.	GRILLO PORTALAME	SCHAEKEL F. MESSER	MANILL.PORTE-COUT.	GRILLETE PORTA CUCHILLA	
008	15002049	FLAIL FOR SHAKEL SML- GARDEN-MINICUTTER	LAMA PER GRILLO LUNGA	MESSER F. SCHAEKEL SML- GARDEN-MINICUTT	COUTEAU POUR MANILLE SML-GARD.-MINICUTT.	CUCHILLA LARGA PARA GRILLETE	
008	15002049	FLAIL FOR SHAKEL SML- GARDEN-MINICUTTER	LAMA PER GRILLO LUNGA	MESSER F. SCHAEKEL SML- GARDEN-MINICUTT	COUTEAU POUR MANILLE SML-GARD.-MINICUTT.	CUCHILLA LARGA PARA GRILLETE	
008	15002111	FLAIL F.SHAKEL SMW/SMO	LAMA PER GRILLO CORTA	MESSER F. SCHAEKEL SMW/SMO KURZ	COUT.P.MANILLE SMW/SMO	CUCHILLA CORTA PARA GRILLETE	
008	15002111	FLAIL F.SHAKEL SMW/SMO	LAMA PER GRILLO CORTA	MESSER F. SCHAEKEL SMW/SMO KURZ	COUT.P.MANILLE SMW/SMO	CUCHILLA CORTA PARA GRILLETE	
009	11302030	SPACING BUSHING F.ROTOR SML	BOCCOLA 40 X 48,3 X 18	DISTANZBUECHSE 40X48,3 X18 F.ROTOR SML	ENTRET.DIA.40X48,3X18	CASQUILLO 40 X 48,3 X 18	
009	11302030	SPACING BUSHING F.ROTOR SML	BOCCOLA 40 X 48,3 X 18	DISTANZBUECHSE 40X48,3 X18 F.ROTOR SML	ENTRET.DIA.40X48,3X18	CASQUILLO 40 X 48,3 X 18	
010	97495034	WASHER ELSP ASA B- 27 - 12,2X21,2X2,5 N	ROSETTA ELSP ASA B-27- 12,2X21,2X2,5 N	SCHEIBE ELSP ASA B- 27 - 12,2X21,2X2,5 N	RONDELLE ELS ASA B- 27 - 12,2X21,2X2,5 N	ARANDELA ELSP ASA B-27- 12,2X21,2X2,5 N	
010	97495034	WASHER ELSP ASA B- 27 - 12,2X21,2X2,5 N	ROSETTA ELSP ASA B-27- 12,2X21,2X2,5 N	SCHEIBE ELSP ASA B- 27 - 12,2X21,2X2,5 N	RONDELLE ELS ASA B- 27 - 12,2X21,2X2,5 N	ARANDELA ELSP ASA B-27- 12,2X21,2X2,5 N	
011	97972021	LOW.SELFBLOCK.NUT M 12- 6S UNI7474	DADO AUTOBLOC.BASSO M12-6S UNI7474	SELBSTSICHER.MUTTER M12-6S UNI7474 NIED.	ECROU AUTOSERR.M 12-6S UNI7474	TUERCA AUTO BLOQ. BAJA M 12-6S UNI7474	

Pos.	Code	Description	Descrizione	Beschreibung	Description	Descripción	Info
011	97972021	LOW.SELFBLOCK.NUT M 12-6S UNI7474	DADO AUTOBLOC.BASSO M12-6S UNI7474	SELBSTSICHER.MUTTER M12-6S UNI7474 NIED.	ECROU AUTOSERR.M 12-6S UNI7474	TUERCA AUTO BLOQ. BAJA M 12-6S UNI7474	
012	48020112	CPL.KIT FLAILS F.SHAKEL SML	KIT CPL LAME PER GRILLO (LAMA 15002049)	KITY-MESSER F.SCHAEKEL SML (15002049)	KIT CPL.COUT.P.MANILLE SML	KIT CPL CUCHILLAS + GRILLETE (15002049)	
012	48020112	CPL.KIT FLAILS F.SHAKEL SML	KIT CPL LAME PER GRILLO (LAMA 15002049)	KITY-MESSER F.SCHAEKEL SML (15002049)	KIT CPL.COUT.P.MANILLE SML	KIT CPL CUCHILLAS + GRILLETE (15002049)	
013	11302022	FLANGE PROT.SX-SML	CONTROFLANGIA SX SML	GEGENFLANSCH LX F. SML	PROT.FLASQUE SX-SML	PROT. BRIDA SX-SML	
013	11302022	FLANGE PROT.SX-SML	CONTROFLANGIA SX SML	GEGENFLANSCH LX F. SML	PROT.FLASQUE SX-SML	PROT. BRIDA SX-SML	
014	11302052	CPL ROTOR SML 105 W.FLAIS	ROTORE CPL SML 105 CON LAME	KPL ROTOR SML L=105 Y-MESSER	ROTOR CPL SML 105 A.COUT.	ROTOR CPL SML 105 CON CUCHILLA	OPT 030
014	11302052	CPL ROTOR SML 105 W.FLAIS	ROTORE CPL SML 105 CON LAME	KPL ROTOR SML L=105 Y-MESSER	ROTOR CPL SML 105 A.COUT.	ROTOR CPL SML 105 CON CUCHILLA	OPT 030
014	11302052	CPL ROTOR SML 105 W.FLAIS	ROTORE CPL SML 105 CON LAME	KPL ROTOR SML L=105 Y-MESSER	ROTOR CPL SML 105 A.COUT.	ROTOR CPL SML 105 CON CUCHILLA	OPT 031
014	11302052	CPL ROTOR SML 105 W.FLAIS	ROTORE CPL SML 105 CON LAME	KPL ROTOR SML L=105 Y-MESSER	ROTOR CPL SML 105 A.COUT.	ROTOR CPL SML 105 CON CUCHILLA	OPT 031
014	11302053	CPL ROTOR SML 125 W.FLAIS	ROTORE CPL SML 125 CON LAME	KPL ROTOR SML L=125 Y-MESSER	ROTOR CPL SML 125 A.COUT.	ROTOR CPL SML 125 CON CUCHILLA	OPT 030
014	11302053	CPL ROTOR SML 125 W.FLAIS	ROTORE CPL SML 125 CON LAME	KPL ROTOR SML L=125 Y-MESSER	ROTOR CPL SML 125 A.COUT.	ROTOR CPL SML 125 CON CUCHILLA	OPT 030
014	11302053	CPL ROTOR SML 125 W.FLAIS	ROTORE CPL SML 125 CON LAME	KPL ROTOR SML L=125 Y-MESSER	ROTOR CPL SML 125 A.COUT.	ROTOR CPL SML 125 CON CUCHILLA	OPT 031
014	11302053	CPL ROTOR SML 125 W.FLAIS	ROTORE CPL SML 125 CON LAME	KPL ROTOR SML L=125 Y-MESSER	ROTOR CPL SML 125 A.COUT.	ROTOR CPL SML 125 CON CUCHILLA	OPT 031
014	11302054	CPL ROTOR SML 155 W.FLAIS	ROTORE CPL SML 155 CON LAME	KPL ROTOR SML L=155 Y-MESSER	ROTOR CPL SML 155 A.COUT.	ROTOR CPL SML 155 CON CUCHILLA	OPT 030
014	11302054	CPL ROTOR SML 155 W.FLAIS	ROTORE CPL SML 155 CON LAME	KPL ROTOR SML L=155 Y-MESSER	ROTOR CPL SML 155 A.COUT.	ROTOR CPL SML 155 CON CUCHILLA	OPT 030
014	11302054	CPL ROTOR SML 155 W.FLAIS	ROTORE CPL SML 155 CON LAME	KPL ROTOR SML L=155 Y-MESSER	ROTOR CPL SML 155 A.COUT.	ROTOR CPL SML 155 CON CUCHILLA	OPT 031
014	11302054	CPL ROTOR SML 155 W.FLAIS	ROTORE CPL SML 155 CON LAME	KPL ROTOR SML L=155 Y-MESSER	ROTOR CPL SML 155 A.COUT.	ROTOR CPL SML 155 CON CUCHILLA	OPT 031
014	11302055	CPL ROTOR SML 175 W.FLAIS	ROTORE CPL SML 175 CON LAME	KPL ROTOR SML L=175 Y-MESSER	ROTOR CPL SML 175 A.COUT.	ROTOR CPL SML 175 CON CUCHILLA	OPT 030
014	11302055	CPL ROTOR SML 175 W.FLAIS	ROTORE CPL SML 175 CON LAME	KPL ROTOR SML L=175 Y-MESSER	ROTOR CPL SML 175 A.COUT.	ROTOR CPL SML 175 CON CUCHILLA	OPT 030
014	11302055	CPL ROTOR SML 175 W.FLAIS	ROTORE CPL SML 175 CON LAME	KPL ROTOR SML L=175 Y-MESSER	ROTOR CPL SML 175 A.COUT.	ROTOR CPL SML 175 CON CUCHILLA	OPT 031
014	11302055	CPL ROTOR SML 175 W.FLAIS	ROTORE CPL SML 175 CON LAME	KPL ROTOR SML L=175 Y-MESSER	ROTOR CPL SML 175 A.COUT.	ROTOR CPL SML 175 CON CUCHILLA	OPT 031
014	11302056	CPL ROTOR SML 200 W.FLAIS	ROTORE CPL SML 200 CON LAME	KPL ROTOR SML L=200 Y-MESSER	ROTOR CPL SML 200 A.COUT.	ROTOR CPL SML 200 CON CUCHILLA	OPT 030
014	11302056	CPL ROTOR SML 200 W.FLAIS	ROTORE CPL SML 200 CON LAME	KPL ROTOR SML L=200 Y-MESSER	ROTOR CPL SML 200 A.COUT.	ROTOR CPL SML 200 CON CUCHILLA	OPT 030
014	11302056	CPL ROTOR SML 200 W.FLAIS	ROTORE CPL SML 200 CON LAME	KPL ROTOR SML L=200 Y-MESSER	ROTOR CPL SML 200 A.COUT.	ROTOR CPL SML 200 CON CUCHILLA	OPT 031
014	11302056	CPL ROTOR SML 200 W.FLAIS	ROTORE CPL SML 200 CON LAME	KPL ROTOR SML L=200 Y-MESSER	ROTOR CPL SML 200 A.COUT.	ROTOR CPL SML 200 CON CUCHILLA	OPT 031
014	11302082	CPL ROTOR SML 225 W.FLAIS	ROTORE CPL SML LAME 225	KPL ROTOR SML L=225 OPT 031	ROTOR CPL SML 225 A.COUT.	ROTOR CPL SML CUCHILLA225	
014	11302082	CPL ROTOR SML 225 W.FLAIS	ROTORE CPL SML LAME 225	KPL ROTOR SML L=225 OPT 031	ROTOR CPL SML 225 A.COUT.	ROTOR CPL SML CUCHILLA225	

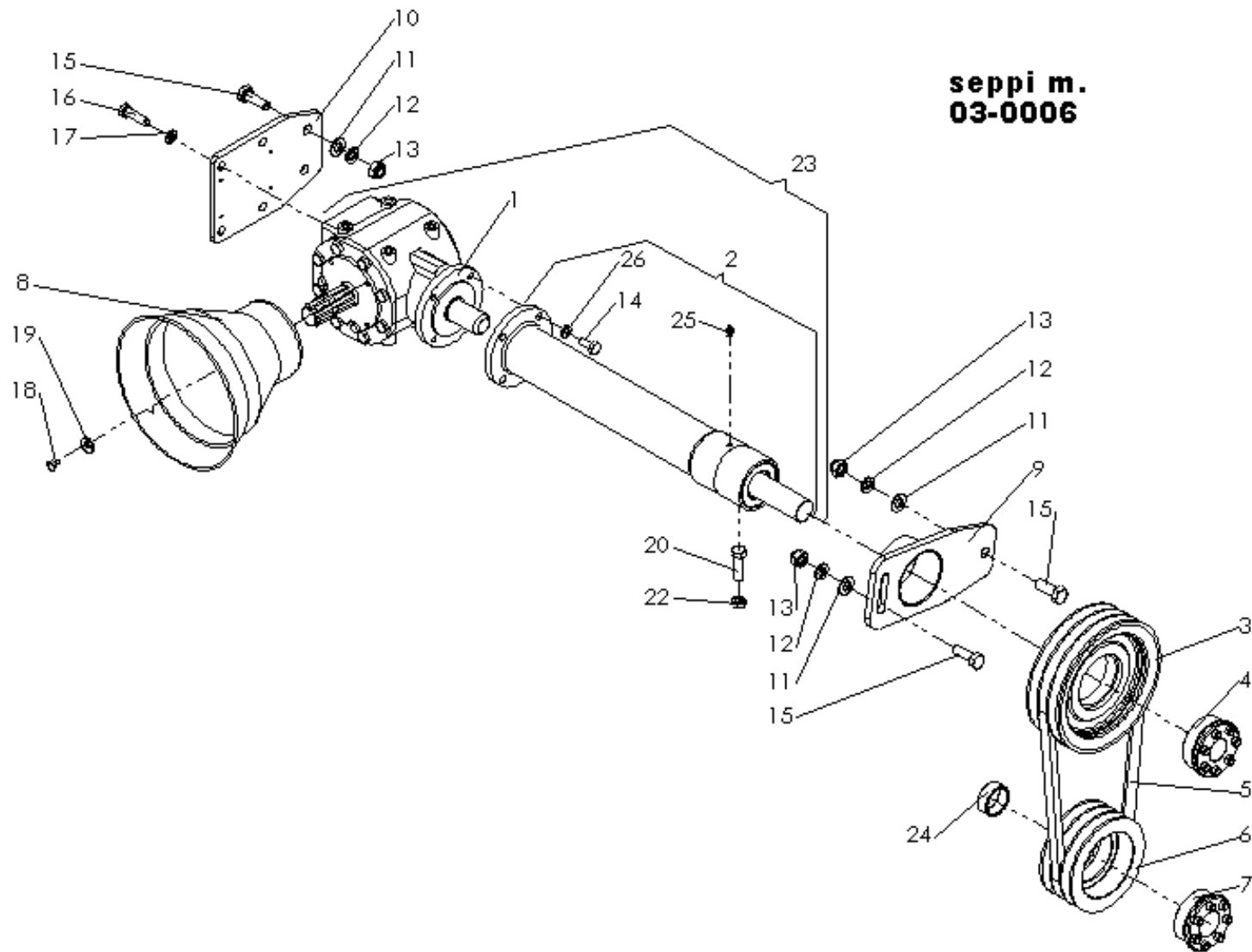
Pos.	Code	Description	Descrizione	Beschreibung	Description	Descripción	Info
014	11302096	ROTOR CPL SML L=105 HAMMER	ROTORE CPL SML L=105 MARTELLO X GRILLO	KPL ROTOR SML L=105 (OPT 342)	ROTOR CPL SML L=105 MARTEAUX	ROTOR CPL SML L=105 MARTILLO	OPT 342
014	11302096	ROTOR CPL SML L=105 HAMMER	ROTORE CPL SML L=105 MARTELLO X GRILLO	KPL ROTOR SML L=105 (OPT 342)	ROTOR CPL SML L=105 MARTEAUX	ROTOR CPL SML L=105 MARTILLO	OPT 342
014	11302097	ROTOR CPL SML L=125 HAMMER	ROTORE CPL SML L=125 MARTELLO X GRILLO	KPL ROTOR SML L=125 (OPT 342)	ROTOR CPL SML L=125 MARTEAUX	ROTOR CPL SML L=125 MARTILLO	OPT 342
014	11302097	ROTOR CPL SML L=125 HAMMER	ROTORE CPL SML L=125 MARTELLO X GRILLO	KPL ROTOR SML L=125 (OPT 342)	ROTOR CPL SML L=125 MARTEAUX	ROTOR CPL SML L=125 MARTILLO	OPT 342
014	11302098	ROTOR CPL SML L=155 HAMMER	ROTORE CPL SML L=155 MARTELLO X GRILLO	KPL ROTOR SML L=155 (OPT 342)	ROTOR CPL SML L=155 MARTEAUX	ROTOR CPL SML L=155 MARTILLO	OPT 342
014	11302098	ROTOR CPL SML L=155 HAMMER	ROTORE CPL SML L=155 MARTELLO X GRILLO	KPL ROTOR SML L=155 (OPT 342)	ROTOR CPL SML L=155 MARTEAUX	ROTOR CPL SML L=155 MARTILLO	OPT 342
014	11302099	ROTOR CPL SML L=175 HAMMER	ROTORE CPL SML L=175 MARTELLO X GRILLO	KPL ROTOR SML L=175 (OPT 342)	ROTOR CPL SML L=175 MARTEAUX	ROTOR CPL SML L=175 MARTILLO	OPT 342
014	11302099	ROTOR CPL SML L=175 HAMMER	ROTORE CPL SML L=175 MARTELLO X GRILLO	KPL ROTOR SML L=175 (OPT 342)	ROTOR CPL SML L=175 MARTEAUX	ROTOR CPL SML L=175 MARTILLO	OPT 342
014	11302100	ROTOR CPL SML L=200 HAMMER	ROTORE CPL SML L=200 MARTELLO X GRILLO	KPL ROTOR SML L=200 (OPT 342)	ROTOR CPL SML L=200 MARTEAUX	ROTOR CPL SML L=200 MARTILLO	OPT 342
014	11302100	ROTOR CPL SML L=200 HAMMER	ROTORE CPL SML L=200 MARTELLO X GRILLO	KPL ROTOR SML L=200 (OPT 342)	ROTOR CPL SML L=200 MARTEAUX	ROTOR CPL SML L=200 MARTILLO	OPT 342
017	21002020	GREASE HOSE F.BEARING ROTOR SAV	TUBETTO L=280 INGRASS. CUSCIN. ROTORE	SCHMIERSCHLAUCH L=280 F.ROTORLAGER	TUBE GRAISSE P.ROULEM.ROTOR SAV	TUBO L=280 ENGRASE COJINETE ROTOR	
017	21002020	GREASE HOSE F.BEARING ROTOR SAV	TUBETTO L=280 INGRASS. CUSCIN. ROTORE	SCHMIERSCHLAUCH L=280 F.ROTORLAGER	TUBE GRAISSE P.ROULEM.ROTOR SAV	TUBO L=280 ENGRASE COJINETE ROTOR	
018	96612427	BOLT TE M 14X040 UNI 5739 8.8 BLACK	VITE TE M14X 40 UNI 5739 8.8 NERA	SCHRAUBE TE M 14 X 40 UNI 5739 8,8 SCHW	VIS TE M 14X040 UNI 5739 8.8 NOIRE	TORNILLO TE M14X 40 UNI 5739 8.8 NEGRO	
018	96612427	BOLT TE M 14X040 UNI 5739 8.8 BLACK	VITE TE M14X 40 UNI 5739 8.8 NERA	SCHRAUBE TE M 14 X 40 UNI 5739 8,8 SCHW	VIS TE M 14X040 UNI 5739 8.8 NOIRE	TORNILLO TE M14X 40 UNI 5739 8.8 NEGRO	
018	97051921	BOLT TE M 14,1X040 UNI 5740 8.8 ZN	VITE TE M14X 40 X 1,5 8.8 ZN U5740	SCHRAUBE TE M 14 X 40 X 1,5 UNI 5740 8,8	VIS TE M 14,1X040 UNI 5740 8.8 ZN	TORNILLO TE M14X 40 X 1,5 8.8 ZN U5740	
018	97051921	BOLT TE M 14,1X040 UNI 5740 8.8 ZN	VITE TE M14X 40 X 1,5 8.8 ZN U5740	SCHRAUBE TE M 14 X 40 X 1,5 UNI 5740 8,8	VIS TE M 14,1X040 UNI 5740 8.8 ZN	TORNILLO TE M14X 40 X 1,5 8.8 ZN U5740	
020	21002005	SUPPORT FOR FLAILHOLDER SHAKLES	SUPPORTO X GRILLO PORTALAME SP. 10	MESSERHALTER F. SCHAEKEL ST. 10	SUPPORT POUR MANILLES PORTE-COUTEAUX	SOPORTE X GRILLO PORTCUCHILLA SP. 10	
020	21002005	SUPPORT FOR FLAILHOLDER SHAKLES	SUPPORTO X GRILLO PORTALAME SP. 10	MESSERHALTER F. SCHAEKEL ST. 10	SUPPORT POUR MANILLES PORTE-COUTEAUX	SOPORTE X GRILLO PORTCUCHILLA SP. 10	
020	21002006	SUPPORT FOR FLAILHOLDER SHAKLES	SUPPORTO X GRILLO PORTALAME SP. 8	MESSERHALTER F. SCHAEKEL	SUPPORT POUR MANILLES PORTE-COUTEAUX	SOPORTE X GRILLO PORTCUCHILLA SP. 8	
020	21002006	SUPPORT FOR FLAILHOLDER SHAKLES	SUPPORTO X GRILLO PORTALAME SP. 8	MESSERHALTER F. SCHAEKEL	SUPPORT POUR MANILLES PORTE-COUTEAUX	SOPORTE X GRILLO PORTCUCHILLA SP. 8	
021	11302008	FLANGE PROT.DX-SML	CONTROFLANGIA DX SML	GEGENFLANSCH RX F. SML	PROT.FLASQUE DX-SML	PROT. BRIDA DX-SML	
021	11302008	FLANGE PROT.DX-SML	CONTROFLANGIA DX SML	GEGENFLANSCH RX F. SML	PROT.FLASQUE DX-SML	PROT. BRIDA DX-SML	
022	11302002	SML HAMMER FOR SHACKLE	MARTELLO PER GRILLO SML	SCHLAEGEL SML F. SCHAEKEL	MARTEAU POUR MANILLE SML	MARTILLO PARA GRILLETES SML	
022	11302002	SML HAMMER FOR SHACKLE	MARTELLO PER GRILLO SML	SCHLAEGEL SML F. SCHAEKEL	MARTEAU POUR MANILLE SML	MARTILLO PARA GRILLETES SML	
023	48020124	K.FIXED KNIVES (HAMMMER,NUT,BOLT) F.MIDF.	KIT MARTELLO/SML+GRILLO+VI TE+DADO+ROSET.	KIT SCHLAEGEL SML+SCHAEKEL+BEFESTIG UNG	KIT MARTEAU OSD (MARTEAU,VIS,ECROU)	KIT MART. SML- GRILL+TORN.+TUERCA+ARAN D.	
023	48020124	K.FIXED KNIVES (HAMMMER,NUT,BOLT) F.MIDF.	KIT MARTELLO/SML+GRILLO+VI TE+DADO+ROSET.	KIT SCHLAEGEL SML+SCHAEKEL+BEFESTIG UNG	KIT MARTEAU OSD (MARTEAU,VIS,ECROU)	KIT MART. SML- GRILL+TORN.+TUERCA+ARAN D.	

Pos.	Code	Description	Descrizione	Beschreibung	Description	Descripción	Info
024	97036611	GREASE NIPPLE UNI 7663 AM 6-5.8	INGRASS DIRITTO UNI 7663 AM 6X1(5-8CH7	SCHMIERNIPPEL UNI 7663 AM 6X1 (5-8)	GRAISSEUR UNI 7663 AM 6-5.8	LUBRICADOR UNI 7663 AM 6X1(5-8CH7	
024	97036611	GREASE NIPPLE UNI 7663 AM 6-5.8	INGRASS DIRITTO UNI 7663 AM 6X1(5-8CH7	SCHMIERNIPPEL UNI 7663 AM 6X1 (5-8)	GRAISSEUR UNI 7663 AM 6-5.8	LUBRICADOR UNI 7663 AM 6X1(5-8CH7	



Pos.	Code	Description	Descrizione	Beschreibung	Description	Descripción	Info
001	96612527	BOLT TE M 14X045 UNI 5739 8.8 BLACK	VITE TE M14X 45 UNI 5739 8.8 NERA	SCHRAUBE TE M 14 X 45 UNI 5739 8,8 SCHW	VIS TE M 14X045 UNI 5739 8.8 NOIRE	TORNILLO TE M14X 45 UNI 5739 8.8 NEGRO	
001	96612527	BOLT TE M 14X045 UNI 5739 8.8 BLACK	VITE TE M14X 45 UNI 5739 8.8 NERA	SCHRAUBE TE M 14 X 45 UNI 5739 8,8 SCHW	VIS TE M 14X045 UNI 5739 8.8 NOIRE	TORNILLO TE M14X 45 UNI 5739 8.8 NEGRO	
001	97052121	BOLT TE M 14X1,5X045 UNI 5740 8.8 ZN	VITE TE M14X 45 X 1,5 8.8 ZN U5740	SCHRAUBE TE M 14 X 1,5 X 45 UNI 5740 8,8	VIS TE M 14X1,5X045 UNI 5740 8.8 ZN	TORNILLO TE M14X 45 X 1,5 8.8 ZN U5740	
001	97052121	BOLT TE M 14X1,5X045 UNI 5740 8.8 ZN	VITE TE M14X 45 X 1,5 8.8 ZN U5740	SCHRAUBE TE M 14 X 1,5 X 45 UNI 5740 8,8	VIS TE M 14X1,5X045 UNI 5740 8.8 ZN	TORNILLO TE M14X 45 X 1,5 8.8 ZN U5740	
002	97495134	WASHER ELSP ASA B- 27 - 14,2X24,1X3 N	ROSETTA ELSP ASA B-27-14,2X24,1X3 N	SCHEIBE ELSP ASA B- 27 - 14,2X24,1X3 N	RONDELLE ELS ASA B- 27 - 14,2X24,1X3 N	ARANDELA ELSP ASA B-27-14,2X24,1X3 N	
002	97495134	WASHER ELSP ASA B- 27 - 14,2X24,1X3 N	ROSETTA ELSP ASA B-27-14,2X24,1X3 N	SCHEIBE ELSP ASA B- 27 - 14,2X24,1X3 N	RONDELLE ELS ASA B- 27 - 14,2X24,1X3 N	ARANDELA ELSP ASA B-27-14,2X24,1X3 N	
003	11310025	CPL COVER F. BEARING SML 105-200	COPERCHIO CPL CUSCINETTO SML 105-200	KPL. DECKEL F. LAGER SML 105-200	COUVERT CPL P. ROULEMENT SML 105-200	TAPA CPL X COJINETE SML 105-200	
003	11310025	CPL COVER F. BEARING SML 105-200	COPERCHIO CPL CUSCINETTO SML 105-200	KPL. DECKEL F. LAGER SML 105-200	COUVERT CPL P. ROULEMENT SML 105-200	TAPA CPL X COJINETE SML 105-200	
004	96867476	EL.RING F.SHAFTS 40X1,75	ANELLO EL. PER ALBERI 40X1,75	WELLENSPANNRING 40X1,75	BAGUE ARRET P.ARBRES 40X1,75	RETEN EL.P.EJES 40X1,75	
004	96867476	EL.RING F.SHAFTS 40X1,75	ANELLO EL. PER ALBERI 40X1,75	WELLENSPANNRING 40X1,75	BAGUE ARRET P.ARBRES 40X1,75	RETEN EL.P.EJES 40X1,75	
005	11302021	SUPPORT NSK-UCF 208	SUPPORTO NSK-UCF 208	LAGERHALTER NSK-UCF 208	SUPPORT NSK-UCF 208	SOPORTE NSK-UCF 208	
005	11302021	SUPPORT NSK-UCF 208	SUPPORTO NSK-UCF 208	LAGERHALTER NSK-UCF 208	SUPPORT NSK-UCF 208	SOPORTE NSK-UCF 208	
006	11302004	BOLT TE M12X 80 UNI 5737 10.9 NERA	VITE TE M12X 80 UNI 5737 10.9 NERA	SCHRAUBE TE M 12X 80 UNI 5737 10,9 SCHW	VIS TE M12X 80 UNI 5737 10.9 NERA	TORNILLO TE M12X 80 UNI 5737 10.9 NERA	
006	11302004	BOLT TE M12X 80 UNI 5737 10.9 NERA	VITE TE M12X 80 UNI 5737 10.9 NERA	SCHRAUBE TE M 12X 80 UNI 5737 10,9 SCHW	VIS TE M12X 80 UNI 5737 10.9 NERA	TORNILLO TE M12X 80 UNI 5737 10.9 NERA	
006	96610735	BOLT TE M 12X075 UNI 5737 8,8 BLACK	VITE TE M12X 75 UNI 5737 8,8 NERA	SCHRAUBE TE M 12 X 75 UNI 5737 8,8 SCHW	VIS TE M 12X075 UNI 5737 8,8 NOIRE	TORNILLO TE M12X 75 UNI 5737 8,8 NEGRO	
006	96610735	BOLT TE M 12X075 UNI 5737 8,8 BLACK	VITE TE M12X 75 UNI 5737 8,8 NERA	SCHRAUBE TE M 12 X 75 UNI 5737 8,8 SCHW	VIS TE M 12X075 UNI 5737 8,8 NOIRE	TORNILLO TE M12X 75 UNI 5737 8,8 NEGRO	
010	97495034	WASHER ELSP ASA B- 27 - 12,2X21,2X2,5 N	ROSETTA ELSP ASA B-27-12,2X21,2X2,5 N	SCHEIBE ELSP ASA B- 27 - 12,2X21,2X2,5 N	RONDELLE ELS ASA B- 27 - 12,2X21,2X2,5 N	ARANDELA ELSP ASA B-27-12,2X21,2X2,5 N	
010	97495034	WASHER ELSP ASA B- 27 - 12,2X21,2X2,5 N	ROSETTA ELSP ASA B-27-12,2X21,2X2,5 N	SCHEIBE ELSP ASA B- 27 - 12,2X21,2X2,5 N	RONDELLE ELS ASA B- 27 - 12,2X21,2X2,5 N	ARANDELA ELSP ASA B-27-12,2X21,2X2,5 N	
011	97972021	LOW.SELFBLOCK.NUT M 12-6S UNI7474	DADO AUTOBLOC.BASSO M12-6S UNI7474	SELBSTSICHER.MUTTER M12-6S UNI7474 NIED.	ECROU AUTOSERR.M 12-6S UNI7474	TUERCA AUTO BLOQ. BAJA M 12-6S UNI7474	
011	97972021	LOW.SELFBLOCK.NUT M 12-6S UNI7474	DADO AUTOBLOC.BASSO M12-6S UNI7474	SELBSTSICHER.MUTTER M12-6S UNI7474 NIED.	ECROU AUTOSERR.M 12-6S UNI7474	TUERCA AUTO BLOQ. BAJA M 12-6S UNI7474	
013	11302022	FLANGE PROT.SX-SML	CONTROFLANGIA SX SML	GEGENFLANSCH LX F. SML	PROT.FLASQUE SX-SML	PROT. BRIDA SX-SML	
013	11302022	FLANGE PROT.SX-SML	CONTROFLANGIA SX SML	GEGENFLANSCH LX F. SML	PROT.FLASQUE SX-SML	PROT. BRIDA SX-SML	
014	11302057	CPL ROTOR SML 105 (WITH SML HAMMERS)	ROTORE CPL SML 105 CON MARTELLI SML	KPL ROTOR SML L=105 (SML SCHLAEGEL)	ROTOR CPL SML 105 (AVEC MARTEAUX SML)	ROTOR CPL SML 105 CON MARTILLO SML	OPT 205
014	11302057	CPL ROTOR SML 105 (WITH SML HAMMERS)	ROTORE CPL SML 105 CON MARTELLI SML	KPL ROTOR SML L=105 (SML SCHLAEGEL)	ROTOR CPL SML 105 (AVEC MARTEAUX SML)	ROTOR CPL SML 105 CON MARTILLO SML	OPT 205
014	11302058	CPL ROTOR SML 125 (WITH SML HAMMERS)	ROTORE CPL SML 125 CON MARTELLI SML	KPL ROTOR SML L=125 (SML SCHLAEGEL)	ROTOR CPL SML 125 (AVEC MARTEAUX SML)	ROTOR CPL SML 125 CON MARTILLO SML	OPT 205
014	11302058	CPL ROTOR SML 125 (WITH SML HAMMERS)	ROTORE CPL SML 125 CON MARTELLI SML	KPL ROTOR SML L=125 (SML SCHLAEGEL)	ROTOR CPL SML 125 (AVEC MARTEAUX SML)	ROTOR CPL SML 125 CON MARTILLO SML	OPT 205
014	11302059	CPL ROTOR SML 155 (WITH SML HAMMERS)	ROTORE CPL SML 155 CON MARTELLI SML	KPL ROTOR SML L=155 (SML SCHLAEGEL)	ROTOR CPL SML 155 (AVEC MARTEAUX SML)	ROTOR CPL SML 155 CON MARTILLO SML	OPT 205

Pos.	Code	Description	Descrizione	Beschreibung	Description	Descripción	Info
014	11302059	CPL ROTOR SML 155 (WITH SML HAMMERS)	ROTORE CPL SML 155 CON MARTELLI SML	KPL ROTOR SML L=155 (SML SCHLAEGEL)	ROTOR CPL SML 155 (AVEC MARTEAUX SML)	ROTOR CPL SML 155 CON MARTILLO SML	OPT 205
014	11302060	CPL ROTOR SML 175 (WITH SML HAMMERS)	ROTORE CPL SML 175 CON MARTELLI SML	KPL ROTOR SML L=175 (SML SCHLAEGEL)	ROTOR CPL SML 175 (AVEC MARTEAUX SML)	ROTOR CPL SML 175 CON MARTILLO SML	OPT 205
014	11302060	CPL ROTOR SML 175 (WITH SML HAMMERS)	ROTORE CPL SML 175 CON MARTELLI SML	KPL ROTOR SML L=175 (SML SCHLAEGEL)	ROTOR CPL SML 175 (AVEC MARTEAUX SML)	ROTOR CPL SML 175 CON MARTILLO SML	OPT 205
014	11302061	CPL ROTOR SML 200 (WITH HAMMERS SML)	ROTORE CPL SML 200 CON MARTELLI SML	KPL ROTOR SML L=200 (SML SCHLAEGEL)	ROTOR CPL SML 200 (AVEC MART.SML)	ROTOR CPL SML 200 CON MARTILLO SML	OPT 205
014	11302061	CPL ROTOR SML 200 (WITH HAMMERS SML)	ROTORE CPL SML 200 CON MARTELLI SML	KPL ROTOR SML L=200 (SML SCHLAEGEL)	ROTOR CPL SML 200 (AVEC MART.SML)	ROTOR CPL SML 200 CON MARTILLO SML	OPT 205
014	11302083	CPL ROTOR SML 225 (WITH HAMMERS SML)	ROTORE CPL SML 225 (CON MARTELLI SML)	KPL ROTOR SML L=225 (SML SCHLAEGEL)	ROTOR CPL SML 225 (AVEC MART.SML)	ROTOR CPL SML 225 (CON MARTILLO SML)	
014	11302083	CPL ROTOR SML 225 (WITH HAMMERS SML)	ROTORE CPL SML 225 (CON MARTELLI SML)	KPL ROTOR SML L=225 (SML SCHLAEGEL)	ROTOR CPL SML 225 (AVEC MART.SML)	ROTOR CPL SML 225 (CON MARTILLO SML)	
015	11302040	HAMMER SML	MARTELLO SML	SCHLAEGEL SML	MARTEAU SML	MARTILLO SML	
015	11302040	HAMMER SML	MARTELLO SML	SCHLAEGEL SML	MARTEAU SML	MARTILLO SML	
016	11302077	KIT HAMMER SML	KIT MARTELLO SML	KIT SCHLAEGEL SML	KIT MARTEAU SML	KIT MARTILLO SML	
016	11302077	KIT HAMMER SML	KIT MARTELLO SML	KIT SCHLAEGEL SML	KIT MARTEAU SML	KIT MARTILLO SML	
017	21002020	GREASE HOSE F.BEARING ROTOR SAV	TUBETTO L=280 INGRASS. CUSCIN. ROTORE	SCHMIERSCHLAUCH L=280 F.ROTORLAGER	TUBE GRAISSE P.ROULEM.ROTOR SAV	TUBO L=280 ENGRASE COJINETE ROTOR	
017	21002020	GREASE HOSE F.BEARING ROTOR SAV	TUBETTO L=280 INGRASS. CUSCIN. ROTORE	SCHMIERSCHLAUCH L=280 F.ROTORLAGER	TUBE GRAISSE P.ROULEM.ROTOR SAV	TUBO L=280 ENGRASE COJINETE ROTOR	
018	96612427	BOLT TE M 14X040 UNI 5739 8.8 BLACK	VITE TE M14X 40 UNI 5739 8.8 NERA	SCHRAUBE TE M 14 X 40 UNI 5739 8,8 SCHW	VIS TE M 14X040 UNI 5739 8.8 NOIRE	TORNILLO TE M14X 40 UNI 5739 8.8 NEGRO	
018	96612427	BOLT TE M 14X040 UNI 5739 8.8 BLACK	VITE TE M14X 40 UNI 5739 8.8 NERA	SCHRAUBE TE M 14 X 40 UNI 5739 8,8 SCHW	VIS TE M 14X040 UNI 5739 8.8 NOIRE	TORNILLO TE M14X 40 UNI 5739 8.8 NEGRO	
018	97051921	BOLT TE M 14,1X040 UNI 5740 8.8 ZN	VITE TE M14X 40 X 1,5 8.8 ZN U5740	SCHRAUBE TE M 14 X 40 X 1,5 UNI 5740 8,8	VIS TE M 14,1X040 UNI 5740 8.8 ZN	TORNILLO TE M14X 40 X 1,5 8.8 ZN U5740	
018	97051921	BOLT TE M 14,1X040 UNI 5740 8.8 ZN	VITE TE M14X 40 X 1,5 8.8 ZN U5740	SCHRAUBE TE M 14 X 40 X 1,5 UNI 5740 8,8	VIS TE M 14,1X040 UNI 5740 8.8 ZN	TORNILLO TE M14X 40 X 1,5 8.8 ZN U5740	
020	21002005	SUPPORT FOR FLAILHOLDER SHAKLES	SUPPORTO X GRILLO PORTALAME SP. 10	MESSERHALTER F. SCHAEKEL ST. 10	SUPPORT POUR MANILLES PORTE-COUTEAUX	SOPORTE X GRILLO PORTCUCHILLA SP. 10	
020	21002005	SUPPORT FOR FLAILHOLDER SHAKLES	SUPPORTO X GRILLO PORTALAME SP. 10	MESSERHALTER F. SCHAEKEL ST. 10	SUPPORT POUR MANILLES PORTE-COUTEAUX	SOPORTE X GRILLO PORTCUCHILLA SP. 10	
021	11302008	FLANGE PROT.DX-SML	CONTROFLANGIA DX SML	GEGENFLANSCH RX F. SML	PROT.FLASQUE DX-SML	PROT. BRIDA DX-SML	
021	11302008	FLANGE PROT.DX-SML	CONTROFLANGIA DX SML	GEGENFLANSCH RX F. SML	PROT.FLASQUE DX-SML	PROT. BRIDA DX-SML	
023	97036611	GREASE NIPPLE UNI 7663 AM 6-5.8	INGRASS DIRITTO UNI 7663 AM 6X1(5-8CH7	SCHMIERNIPPEL UNI 7663 AM 6X1 (5-8)	GRAISSEUR UNI 7663 AM 6-5.8	LUBRICADOR UNI 7663 AM 6X1(5-8CH7	
023	97036611	GREASE NIPPLE UNI 7663 AM 6-5.8	INGRASS DIRITTO UNI 7663 AM 6X1(5-8CH7	SCHMIERNIPPEL UNI 7663 AM 6X1 (5-8)	GRAISSEUR UNI 7663 AM 6-5.8	LUBRICADOR UNI 7663 AM 6X1(5-8CH7	



Pos.	Code	Description	Descrizione	Beschreibung	Description	Descripción	Info
001	11303010	GEARBOX BOX TL 310 (9.310.744.00)R1/3 R.L	SCAT.ING T310 RL NP 1:3 (9.310.744.00)	GETRIEBE TL 310 (9.310.744.00) 1:3 FL	BOIT.A ENGR.TL 310 (9.310.744.00)R1/3 R.L	CAJA ENG. T310 RL NP 1:3 (9.310.744.00)	
001	11303010	GEARBOX BOX TL 310 (9.310.744.00)R1/3 R.L	SCAT.ING T310 RL NP 1:3 (9.310.744.00)	GETRIEBE TL 310 (9.310.744.00) 1:3 FL	BOIT.A ENGR.TL 310 (9.310.744.00)R1/3 R.L	CAJA ENG. T310 RL NP 1:3 (9.310.744.00)	
001	11303021	GEARBOX BOX M 31T (GB00293) RL R=1/3	SCAT.ING M31T RL 1:3 (GB00293)	GETRIEBE M 31T FL 1:3 (GB00293)	BOIT.A ENGR.M 31T (GB00293) RL R=1/3	CAJA ENG. M31T RL 1:3 (GB00293)	
001	11303021	GEARBOX BOX M 31T (GB00293) RL R=1/3	SCAT.ING M31T RL 1:3 (GB00293)	GETRIEBE M 31T FL 1:3 (GB00293)	BOIT.A ENGR.M 31T (GB00293) RL R=1/3	CAJA ENG. M31T RL 1:3 (GB00293)	
001	11303047	GEARBOX T310 RL AP 1:3 (9.310.749.00)	SCAT.ING T310 RL AP 1:3 (9.310.749.00)	GETRIEBE T310 FL 1:3 (9.310.749.00)	BOITIER T310 RL AP 1:3 (9.310.749.00)	CAJA T310 RL AP 1:3 (9.310.749.00)	OPT 313
001	11303047	GEARBOX T310 RL AP 1:3 (9.310.749.00)	SCAT.ING T310 RL AP 1:3 (9.310.749.00)	GETRIEBE T310 FL 1:3 (9.310.749.00)	BOITIER T310 RL AP 1:3 (9.310.749.00)	CAJA T310 RL AP 1:3 (9.310.749.00)	OPT 313
002	11303016	CPL EXT.SH.F.GEAR.M31T L= 745 SML175	PROLUNGA CPL MOLT.M31T L=745 SML175	KPL VERLAENG. F.GETR.M31T L= 745 SML175	PROL.CPL P.BOITIER M31T L= 745 SML175	PROL. CPL. X CAJA M31T L= 745 SML175	
002	11303016	CPL EXT.SH.F.GEAR.M31T L= 745 SML175	PROLUNGA CPL MOLT.M31T L=745 SML175	KPL VERLAENG. F.GETR.M31T L= 745 SML175	PROL.CPL P.BOITIER M31T L= 745 SML175	PROL. CPL. X CAJA M31T L= 745 SML175	
002	11303017	CPL EXT.SH.F.GEAR.M31T L= 395 SML105	PROLUNGA CPL MOLT.M31T L=395 SML105	KPL VERLAENG. F.GETR.M31T L= 395 SML105	PROL.CPL P.BOITIER M31T L= 395 SML105	PROL. CPL. X CAJA M31T L= 395 SML105	
002	11303017	CPL EXT.SH.F.GEAR.M31T L= 395 SML105	PROLUNGA CPL MOLT.M31T L=395 SML105	KPL VERLAENG. F.GETR.M31T L= 395 SML105	PROL.CPL P.BOITIER M31T L= 395 SML105	PROL. CPL. X CAJA M31T L= 395 SML105	
002	11303018	CPL EXT.SH.F.GEAR.M31T L= 495 SML125	PROLUNGA CPL MOLT.M31T L=495 SML125	KPL VERLAENG. F.GETR.M31T L= 495 SML125	PROL.CPL P.BOITIER M31T L= 495 SML125	PROL. CPL. X CAJA M31T L= 495 SML125	
002	11303018	CPL EXT.SH.F.GEAR.M31T L= 495 SML125	PROLUNGA CPL MOLT.M31T L=495 SML125	KPL VERLAENG. F.GETR.M31T L= 495 SML125	PROL.CPL P.BOITIER M31T L= 495 SML125	PROL. CPL. X CAJA M31T L= 495 SML125	
002	11303019	CPL EXT.SH.F.GEAR.M31T L= 645 SML155	PROLUNGA CPL MOLT.M31T L=645 SML155	KPL VERLAENG. F.GETR.M31T L= 645 SML155	PROL.CPL P.BOITIER M31T L= 645 SML155	PROL. CPL. X CAJA M31T L= 645 SML155	
002	11303019	CPL EXT.SH.F.GEAR.M31T L= 645 SML155	PROLUNGA CPL MOLT.M31T L=645 SML155	KPL VERLAENG. F.GETR.M31T L= 645 SML155	PROL.CPL P.BOITIER M31T L= 645 SML155	PROL. CPL. X CAJA M31T L= 645 SML155	
002	11303020	CPL EXT.SH.F.GEAR.M31T L= 870 SML200	PROLUNGA CPL MOLT.M31T L=870 SML200	KPL VERLAENG. F.GETR.M31T L= 870 SML200	PROL.CPL P.BOITIER M31T L= 870 SML200	PROL. CPL. X CAJA M31T L= 870 SML200	
002	11303020	CPL EXT.SH.F.GEAR.M31T L= 870 SML200	PROLUNGA CPL MOLT.M31T L=870 SML200	KPL VERLAENG. F.GETR.M31T L= 870 SML200	PROL.CPL P.BOITIER M31T L= 870 SML200	PROL. CPL. X CAJA M31T L= 870 SML200	
002	11303048	CPL EXT.SH.F.GEAR.M31T L= 275	PROLUNGA CPL MOLT.M31T L=275	KPL VERLAENGERUNG F.GETR.M31T L= 275	PROL.CPL P.BOITIER M31T L= 275	PROLONGACION CPL. X CAJA M31T L= 275	
002	11303048	CPL EXT.SH.F.GEAR.M31T L= 275	PROLUNGA CPL MOLT.M31T L=275	KPL VERLAENGERUNG F.GETR.M31T L= 275	PROL.CPL P.BOITIER M31T L= 275	PROLONGACION CPL. X CAJA M31T L= 275	
002	11303068	CPL EXT.SH.L= 276 X TL 310	PROLUNGA CPL L= 276 X TL 310	KPL VERLAENGERUNG L=276 F. TL 310	PROL.CPL L= 276 X TL 310	PROLONGACION CPL. L= 276 X TL 310	L=105 - L=200+ OPT 206
002	11303068	CPL EXT.SH.L= 276 X TL 310	PROLUNGA CPL L= 276 X TL 310	KPL VERLAENGERUNG L=276 F. TL 310	PROL.CPL L= 276 X TL 310	PROLONGACION CPL. L= 276 X TL 310	L=105 - L=200+ OPT 206
002	11303068	CPL EXT.SH.L= 276 X TL 310	PROLUNGA CPL L= 276 X TL 310	KPL VERLAENGERUNG L=276 F. TL 310	PROL.CPL L= 276 X TL 310	PROLONGACION CPL. L= 276 X TL 310	OPT 206
002	11303068	CPL EXT.SH.L= 276 X TL 310	PROLUNGA CPL L= 276 X TL 310	KPL VERLAENGERUNG L=276 F. TL 310	PROL.CPL L= 276 X TL 310	PROLONGACION CPL. L= 276 X TL 310	OPT 206

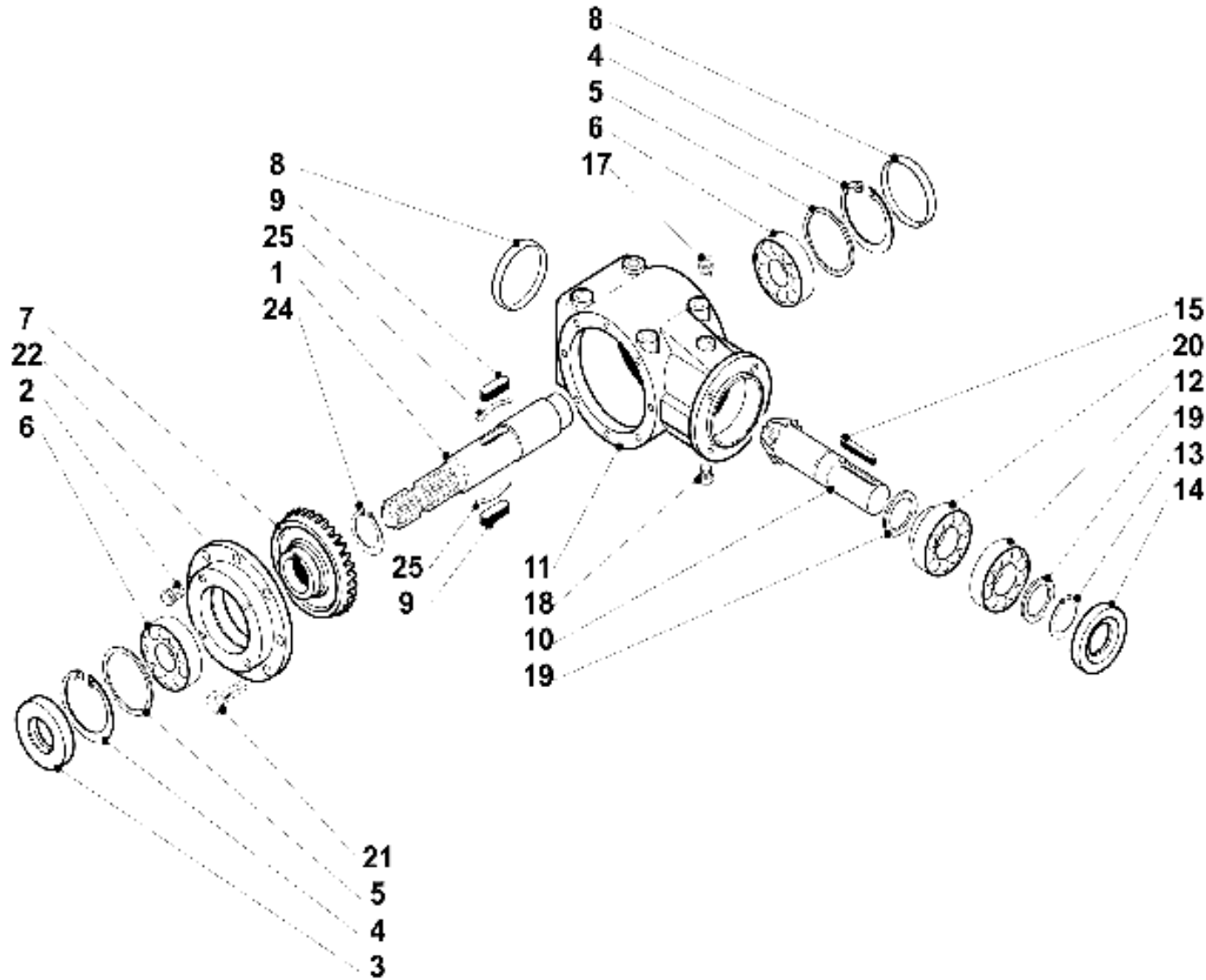
Pos.	Code	Description	Descrizione	Beschreibung	Description	Descripción	Info
002	11303069	CPL EXT.SH.L= 396 X TL 310	PROLUNGA CPL L= 396 X TL 310	KPL VERLAENGERUNG L=396 F. TL 310	PROL.CPL L= 396 X TL 310	PROLONGACION CPL. L= 396 X TL 310	L=105
002	11303069	CPL EXT.SH.L= 396 X TL 310	PROLUNGA CPL L= 396 X TL 310	KPL VERLAENGERUNG L=396 F. TL 310	PROL.CPL L= 396 X TL 310	PROLONGACION CPL. L= 396 X TL 310	L=105
002	11303070	CPL EXT.SH.L= 496 X TL 310	PROLUNGA CPL L= 496 X TL 310	KPL VERLAENGERUNG L=496 F. TL 310	PROL.CPL L= 496 X TL 310	PROLONGACION CPL. L= 496 X TL 310	L=125
002	11303070	CPL EXT.SH.L= 496 X TL 310	PROLUNGA CPL L= 496 X TL 310	KPL VERLAENGERUNG L=496 F. TL 310	PROL.CPL L= 496 X TL 310	PROLONGACION CPL. L= 496 X TL 310	L=125
002	11303070	CPL EXT.SH.L= 496 X TL 310	PROLUNGA CPL L= 496 X TL 310	KPL VERLAENGERUNG L=496 F. TL 310	PROL.CPL L= 496 X TL 310	PROLONGACION CPL. L= 496 X TL 310	L=125 # (L=155 - L=200 + OPT208)
002	11303070	CPL EXT.SH.L= 496 X TL 310	PROLUNGA CPL L= 496 X TL 310	KPL VERLAENGERUNG L=496 F. TL 310	PROL.CPL L= 496 X TL 310	PROLONGACION CPL. L= 496 X TL 310	L=125 # (L=155 - L=200 + OPT208)
002	11303071	CPL EXT.SH.L= 646 X TL 310	PROLUNGA CPL L= 646 X TL 310	KPL VERLAENGERUNG L=646 F. TL 310	PROL.CPL L= 646 X TL 310	PROLONGACION CPL. L= 646 X TL 310	L=155
002	11303071	CPL EXT.SH.L= 646 X TL 310	PROLUNGA CPL L= 646 X TL 310	KPL VERLAENGERUNG L=646 F. TL 310	PROL.CPL L= 646 X TL 310	PROLONGACION CPL. L= 646 X TL 310	L=155
002	11303072	CPL EXT.SH.L= 746 X TL 310	PROLUNGA CPL L= 746 X TL 310	KPL VERLAENGERUNG L=746 F. TL 310	PROL.CPL L= 746 X TL 310	PROLONGACION CPL. L= 746 X TL 310	L=175
002	11303072	CPL EXT.SH.L= 746 X TL 310	PROLUNGA CPL L= 746 X TL 310	KPL VERLAENGERUNG L=746 F. TL 310	PROL.CPL L= 746 X TL 310	PROLONGACION CPL. L= 746 X TL 310	L=175
002	11303073	CPL EXT.SH.L= 871 X TL 310	PROLUNGA CPL L= 871 X TL 310	KPL VERLAENGERUNG L=871 F. TL 310	PROL.CPL L= 871 X TL 310	PROLONGACION CPL. L= 871 X TL 310	L=200
002	11303073	CPL EXT.SH.L= 871 X TL 310	PROLUNGA CPL L= 871 X TL 310	KPL VERLAENGERUNG L=871 F. TL 310	PROL.CPL L= 871 X TL 310	PROLONGACION CPL. L= 871 X TL 310	L=200
003	11303034	PULLEY 3SPB 200 TURNED (15003067)	PULEGGIA 3SPB 200 TORNITA	KEILRIEMENSCHLEIBE 3SPB 200 GEDREHT	POULIE 3SPB 200 MOULEE (15003067)	POLEA 3SPB 200 TORNEADA	
003	11303034	PULLEY 3SPB 200 TURNED (15003067)	PULEGGIA 3SPB 200 TORNITA	KEILRIEMENSCHLEIBE 3SPB 200 GEDREHT	POULIE 3SPB 200 MOULEE (15003067)	POLEA 3SPB 200 TORNEADA	
004	13003005	TAPER LOCK VIBLOCK VK 156 35 X 80	CALETTATORE VIBLOCK VK 156 35 X 80	SPANNBUECHSE VIBLOCK VK 156 35 X 80	MOYEU VIBLOCK VK 156 35 X 80	JUNTA VIBLOCK VK 156 35 X 80	
004	13003005	TAPER LOCK VIBLOCK VK 156 35 X 80	CALETTATORE VIBLOCK VK 156 35 X 80	SPANNBUECHSE VIBLOCK VK 156 35 X 80	MOYEU VIBLOCK VK 156 35 X 80	JUNTA VIBLOCK VK 156 35 X 80	
005	15003060	BELT BX 44	CINGHIA BX 44 LP=1161	KEILRIEMEN BX 44 L=1161	COURROIE BX 44	CORREA BX 44 LP=1161	
005	15003060	BELT BX 44	CINGHIA BX 44 LP=1161	KEILRIEMEN BX 44 L=1161	COURROIE BX 44	CORREA BX 44 LP=1161	
006	11303033	PULLEY 3SPB 140 TURNED (15003056)	PULEGGIA 3SPB 140 TORNITA	KEILRIEMENSCHLEIBE 3SPB 140 GEDREHT	POULIE 3SPB 140 MOULEE (15003056)	POLEA 3SPB 140 TORNEADA	
006	11303033	PULLEY 3SPB 140 TURNED (15003056)	PULEGGIA 3SPB 140 TORNITA	KEILRIEMENSCHLEIBE 3SPB 140 GEDREHT	POULIE 3SPB 140 MOULEE (15003056)	POLEA 3SPB 140 TORNEADA	
007	15003054	TAPER LOCK VIBLOCK VK 156 40 X 80 STD	CALETTATORE VIBLOCK VK 156 40 X 80	SPANNBUECHSE VIBLOCK VK 156 40 X 80	MOYEU VIBLOCK VK 156 40 X 80 STD	JUNTA VIBLOCK VK 156 40 X 80 STD	
007	15003054	TAPER LOCK VIBLOCK VK 156 40 X 80 STD	CALETTATORE VIBLOCK VK 156 40 X 80	SPANNBUECHSE VIBLOCK VK 156 40 X 80	MOYEU VIBLOCK VK 156 40 X 80 STD	JUNTA VIBLOCK VK 156 40 X 80 STD	
008	14310012	CIRCULAR PROTECTION (30/211)	CONTROCUFFIA CIRCOLARE (30/211)	KREISFOERM. SCHUTZKAPPE (30/211)	PROTECTION CIRCULAIRE (30/211)	PROTECCION CIRCULAR (30/211)	
008	14310012	CIRCULAR PROTECTION (30/211)	CONTROCUFFIA CIRCOLARE (30/211)	KREISFOERM. SCHUTZKAPPE (30/211)	PROTECTION CIRCULAIRE (30/211)	PROTECCION CIRCULAR (30/211)	
009	11303032	ADAPTOR EXTENSION SHAFT SML	ADATTATORE PER PROLUNGA SML	ADAPTER F. VERLAENGERUNG SML	ADAPTEUR POUR PROLONGE SML	JUNTA ORING PROT. ROTOR CPL. L=50	
009	11303032	ADAPTOR EXTENSION SHAFT SML	ADATTATORE PER PROLUNGA SML	ADAPTER F. VERLAENGERUNG SML	ADAPTEUR POUR PROLONGE SML	JUNTA ORING PROT. ROTOR CPL. L=50	
010	11003014	PLATE F.GEARBOX 6 MM.	PIASTRA MOLTIPLICATORE 6 MM	PLATTE F.GETRIEBE 6 MM.	PLAQUE P. BOITIER 6 MM.	PLACA X MULTIPLICADOR 6 MM.	

Pos.	Code	Description	Descrizione	Beschreibung	Description	Descripción	Info
010	11003014	PLATE F.GEARBOX 6 MM.	PIASTRA MOLTIPLICATORE 6 MM	PLATTE F.GETRIEBE 6 MM.	PLAQUE P.Boitier 6 MM.	PLACA X MULTIPLICADOR 6 MM.	
011	97093311	SMOOTH WASHER M 14 UNI 5714 ZN	ROSETTA PIANA CARPENT.X M14 UNI 5714 ZN	GLATTE SCHEIBE F. M 14 UNI 5714 ZN	RONDELLE LISSE M 14 UNI 5714 ZN	ARANDELA PLANA M14 UNI 5714 ZN	
011	97093311	SMOOTH WASHER M 14 UNI 5714 ZN	ROSETTA PIANA CARPENT.X M14 UNI 5714 ZN	GLATTE SCHEIBE F. M 14 UNI 5714 ZN	RONDELLE LISSE M 14 UNI 5714 ZN	ARANDELA PLANA M14 UNI 5714 ZN	
011	97095511	SMOOTH WASHER UNI 6592 - 14X28X2,5 ZN	ROSETTA PIANA UNI 6592-14,0X28X2,5 ZN	GLATTE SCHEIBE UNI 6592 - 14X28X2,5 ZN	RONDELL.LISSE UNI 6592 - 14X28X2,5 ZN	ARANDELA PLANA UNI 6592-14,0X28X2,5 ZN	
011	97095511	SMOOTH WASHER UNI 6592 - 14X28X2,5 ZN	ROSETTA PIANA UNI 6592-14,0X28X2,5 ZN	GLATTE SCHEIBE UNI 6592 - 14X28X2,5 ZN	RONDELL.LISSE UNI 6592 - 14X28X2,5 ZN	ARANDELA PLANA UNI 6592-14,0X28X2,5 ZN	
012	97495134	WASHER ELSP ASA B- 27 - 14,2X24,1X3 N	ROSETTA ELSP ASA B-27-14,2X24,1X3 N	SCHEIBE ELSP ASA B- 27 - 14,2X24,1X3 N	RONDELLE ELS ASA B- 27 - 14,2X24,1X3 N	ARANDELA ELSP ASA B-27-14,2X24,1X3 N	
012	97495134	WASHER ELSP ASA B- 27 - 14,2X24,1X3 N	ROSETTA ELSP ASA B-27-14,2X24,1X3 N	SCHEIBE ELSP ASA B- 27 - 14,2X24,1X3 N	RONDELLE ELS ASA B- 27 - 14,2X24,1X3 N	ARANDELA ELSP ASA B-27-14,2X24,1X3 N	
013	97972321	LOW.SELFBLOCK.NUT M 14-6S UNI7474	DADO AUTOBLOC.BASSO M14-6S UNI7474	SELBSTSICHER.MUTTER M14-6S UNI7474 NIED.	ECROU AUTOSERR.M 14-6S UNI7474	TUERCA AUTO BLOQ. BAJA M 14-6S UNI7474	
013	97972321	LOW.SELFBLOCK.NUT M 14-6S UNI7474	DADO AUTOBLOC.BASSO M14-6S UNI7474	SELBSTSICHER.MUTTER M14-6S UNI7474 NIED.	ECROU AUTOSERR.M 14-6S UNI7474	TUERCA AUTO BLOQ. BAJA M 14-6S UNI7474	
014	96692223	BOLT TCEI M 10X030 UNI 5931 8.8 BLACK	VITE TCEI M10X 30 UNI 5931 8.8 NERA	SCHRAUBE TCEI M 10 X 30 UNI 5931 8,8	VIS TCEI M 10X030 UNI 5931 8.8 NOIRE	TORNILLO TCEI M10X 30 UNI 5931 8.8 NEGRO	
014	96692223	BOLT TCEI M 10X030 UNI 5931 8.8 BLACK	VITE TCEI M10X 30 UNI 5931 8.8 NERA	SCHRAUBE TCEI M 10 X 30 UNI 5931 8,8	VIS TCEI M 10X030 UNI 5931 8.8 NOIRE	TORNILLO TCEI M10X 30 UNI 5931 8.8 NEGRO	
015	96612421	BOLT TE M 14X040 UNI 5739 8.8 ZN	VITE TE M14X 40 UNI 5739 8.8 ZN	SCHRAUBE TE M 14 X 40 UNI 5739 8,8 ZN	VIS TE M 14X040 UNI 5739 8.8 ZN	TORNILLO TE M14X 40 UNI 5739 8.8 ZN	
015	96612421	BOLT TE M 14X040 UNI 5739 8.8 ZN	VITE TE M14X 40 UNI 5739 8.8 ZN	SCHRAUBE TE M 14 X 40 UNI 5739 8,8 ZN	VIS TE M 14X040 UNI 5739 8.8 ZN	TORNILLO TE M14X 40 UNI 5739 8.8 ZN	
016	96609827	BOLT TE M 12X025 UNI 5739 8.8 BLACK	VITE TE M12X 25 UNI 5739 8.8 NERA	SCHRAUBE TE M 12 X 25 UNI 5739 8,8 SCHW	VIS TE M 12X025 UNI 5739 8.8 NOIRE	TORNILLO TE M12X 25 UNI 5739 8.8 NEGRO	
016	96609827	BOLT TE M 12X025 UNI 5739 8.8 BLACK	VITE TE M12X 25 UNI 5739 8.8 NERA	SCHRAUBE TE M 12 X 25 UNI 5739 8,8 SCHW	VIS TE M 12X025 UNI 5739 8.8 NOIRE	TORNILLO TE M12X 25 UNI 5739 8.8 NEGRO	
017	97495034	WASHER ELSP ASA B- 27 - 12,2X21,2X2,5 N	ROSETTA ELSP ASA B-27-12,2X21,2X2,5 N	SCHEIBE ELSP ASA B- 27 - 12,2X21,2X2,5 N	RONDELLE ELS ASA B- 27 - 12,2X21,2X2,5 N	ARANDELA ELSP ASA B-27-12,2X21,2X2,5 N	
017	97495034	WASHER ELSP ASA B- 27 - 12,2X21,2X2,5 N	ROSETTA ELSP ASA B-27-12,2X21,2X2,5 N	SCHEIBE ELSP ASA B- 27 - 12,2X21,2X2,5 N	RONDELLE ELS ASA B- 27 - 12,2X21,2X2,5 N	ARANDELA ELSP ASA B-27-12,2X21,2X2,5 N	
018	96605321	BOLT TE M 08X012 UNI 5739 8.8 ZN	VITE TE M 8X 12 UNI 5739 8.8 ZN	SCHRAUBE TEM 8 X 12 UNI 5739 8,8 ZN	VIS TE M 08X012 UNI 5739 8.8 ZN	TORNILLO TE M 8X 12 UNI 5739 8.8 ZN	
018	96605321	BOLT TE M 08X012 UNI 5739 8.8 ZN	VITE TE M 8X 12 UNI 5739 8.8 ZN	SCHRAUBE TEM 8 X 12 UNI 5739 8,8 ZN	VIS TE M 08X012 UNI 5739 8.8 ZN	TORNILLO TE M 8X 12 UNI 5739 8.8 ZN	
019	97094921	SMOOTH WASHER M 8 9X24X2 ZN.	RONDELLA GREMBIULINA 9X24X2	SCHEIBE 9X24X2	RONDELLE LISSE M 8 9X24X2 ZN.	ARANDELA 9X24X2	
019	97094921	SMOOTH WASHER M 8 9X24X2 ZN.	RONDELLA GREMBIULINA 9X24X2	SCHEIBE 9X24X2	RONDELLE LISSE M 8 9X24X2 ZN.	ARANDELA 9X24X2	
020	96610121	BOLT TE M 12X040 UNI 5739 8.8 ZN	VITE TE M12X 40 UNI 5739 8.8 ZN	SCHRAUBE TE M 12 X 40 UNI 5739 8,8 ZN	VIS TE M 12X040 UNI 5739 8.8 ZN	TORNILLO TE M12X 40 UNI 5739 8.8 ZN	
020	96610121	BOLT TE M 12X040 UNI 5739 8.8 ZN	VITE TE M12X 40 UNI 5739 8.8 ZN	SCHRAUBE TE M 12 X 40 UNI 5739 8,8 ZN	VIS TE M 12X040 UNI 5739 8.8 ZN	TORNILLO TE M12X 40 UNI 5739 8.8 ZN	
022	96979971	NUT M 12-6S UNI5589 H=07	DADO M12-6S UNI5589 BASSO H=07 ZN	MUTTER M 12-6S UNI5589 H=07 ZN NIEDER	ECR.M 12-6S UNI5589 H=07	TUERCA M 12-6S UNI5589 BAJA H=07 GALV.	
022	96979971	NUT M 12-6S UNI5589 H=07	DADO M12-6S UNI5589 BASSO H=07 ZN	MUTTER M 12-6S UNI5589 H=07 ZN NIEDER	ECR.M 12-6S UNI5589 H=07	TUERCA M 12-6S UNI5589 BAJA H=07 GALV.	

Pos.	Code	Description	Descrizione	Beschreibung	Description	Descripción	Info
023	11303082	GEAR. TL310 LP=276 R 1:3 R L	MOLT TL310 LP=276 R 1:3 R L	GETRIEBE TL310 VERL.=276 1:3 MIT FL	BOIT. TL310 LP=276 R 1:3 R L	MULT. TL310 LP=276 R 1:3 R L	L=105 - L=200 + OPT 206
023	11303082	GEAR. TL310 LP=276 R 1:3 R L	MOLT TL310 LP=276 R 1:3 R L	GETRIEBE TL310 VERL.=276 1:3 MIT FL	BOIT. TL310 LP=276 R 1:3 R L	MULT. TL310 LP=276 R 1:3 R L	L=105 - L=200 + OPT 206
023	11303082	GEAR. TL310 LP=276 R 1:3 R L	MOLT TL310 LP=276 R 1:3 R L	GETRIEBE TL310 VERL.=276 1:3 MIT FL	BOIT. TL310 LP=276 R 1:3 R L	MULT. TL310 LP=276 R 1:3 R L	OPT 206
023	11303082	GEAR. TL310 LP=276 R 1:3 R L	MOLT TL310 LP=276 R 1:3 R L	GETRIEBE TL310 VERL.=276 1:3 MIT FL	BOIT. TL310 LP=276 R 1:3 R L	MULT. TL310 LP=276 R 1:3 R L	OPT 206
023	11303083	GEAR. TL310 LP=396 R 1:3 R L	MOLT TL310 LP=396 R 1:3 R L	GETRIEBE TL310 VERL.=396 1:3 MIT FL	BOIT. TL310 LP=396 R 1:3 R L	MULT. TL310 LP=396 R 1:3 R L	L=105
023	11303083	GEAR. TL310 LP=396 R 1:3 R L	MOLT TL310 LP=396 R 1:3 R L	GETRIEBE TL310 VERL.=396 1:3 MIT FL	BOIT. TL310 LP=396 R 1:3 R L	MULT. TL310 LP=396 R 1:3 R L	L=105
023	11303084	GEAR. TL310 LP=496 R 1:3 R L	MOLT TL310 LP=496 R 1:3 R L	GETRIEBE TL310 VERL.=496 1:3 MIT FL	BOIT. TL310 LP=496 R 1:3 R L	MULT. TL310 LP=496 R 1:3 R L	L=125
023	11303084	GEAR. TL310 LP=496 R 1:3 R L	MOLT TL310 LP=496 R 1:3 R L	GETRIEBE TL310 VERL.=496 1:3 MIT FL	BOIT. TL310 LP=496 R 1:3 R L	MULT. TL310 LP=496 R 1:3 R L	L=125
023	11303084	GEAR. TL310 LP=496 R 1:3 R L	MOLT TL310 LP=496 R 1:3 R L	GETRIEBE TL310 VERL.=496 1:3 MIT FL	BOIT. TL310 LP=496 R 1:3 R L	MULT. TL310 LP=496 R 1:3 R L	L=125 # (OPT 208 + L=155 - L=200)
023	11303084	GEAR. TL310 LP=496 R 1:3 R L	MOLT TL310 LP=496 R 1:3 R L	GETRIEBE TL310 VERL.=496 1:3 MIT FL	BOIT. TL310 LP=496 R 1:3 R L	MULT. TL310 LP=496 R 1:3 R L	L=125 # (OPT 208 + L=155 - L=200)
023	11303085	GEAR. TL310 LP=646 R 1:3 R L	MOLT TL310 LP=646 R 1:3 R L	GETRIEBE TL310 VERL.=646 1:3 MIT FL	BOIT. TL310 LP=646 R 1:3 R L	MULT. TL310 LP=646 R 1:3 R L	L=155
023	11303085	GEAR. TL310 LP=646 R 1:3 R L	MOLT TL310 LP=646 R 1:3 R L	GETRIEBE TL310 VERL.=646 1:3 MIT FL	BOIT. TL310 LP=646 R 1:3 R L	MULT. TL310 LP=646 R 1:3 R L	L=155
023	11303086	GEAR. TL310 LP=746 R 1:3 R L	MOLT TL310 LP=746 R 1:3 R L	GETRIEBE TL310 VERL.=746 1:3 MIT FL	BOIT. TL310 LP=746 R 1:3 R L	MULT. TL310 LP=746 R 1:3 R L	L=175
023	11303086	GEAR. TL310 LP=746 R 1:3 R L	MOLT TL310 LP=746 R 1:3 R L	GETRIEBE TL310 VERL.=746 1:3 MIT FL	BOIT. TL310 LP=746 R 1:3 R L	MULT. TL310 LP=746 R 1:3 R L	L=175
023	11303087	GEAR. TL310 LP=871 R 1:3 R L	MOLT TL310 LP=871 R 1:3 R L	GETRIEBE TL310 VERL.=871 1:3 MIT FL	BOIT. TL310 LP=871 R 1:3 R L	MULT. TL310 LP=871 R 1:3 R L	L=200
023	11303087	GEAR. TL310 LP=871 R 1:3 R L	MOLT TL310 LP=871 R 1:3 R L	GETRIEBE TL310 VERL.=871 1:3 MIT FL	BOIT. TL310 LP=871 R 1:3 R L	MULT. TL310 LP=871 R 1:3 R L	L=200
023	11303090	GEAR. TL310 LP=276 R=1:1,6 SF	MOLT. TL310 LP=276 R=1:1,6 SF	GETR. TL310 VERL.=276 1:1,6 OHNE FL	BOIT. TL310 LP=276 R=1:1,6 SF	MULT. TL310 LP=276 R=1:1,6 SF	
023	11303090	GEAR. TL310 LP=276 R=1:1,6 SF	MOLT. TL310 LP=276 R=1:1,6 SF	GETR. TL310 VERL.=276 1:1,6 OHNE FL	BOIT. TL310 LP=276 R=1:1,6 SF	MULT. TL310 LP=276 R=1:1,6 SF	
023	11303091	GEAR. TL310 LP=396 R=1:1,6 SF	MOLT. TL310 LP=396 R=1:1,6 SF	GETR. TL310 VERL.=396 1:1,6 OHNE FL	BOIT. TL310 LP=396 R=1:1,6 SF	MULT. TL310 LP=396 R=1:1,6 SF	
023	11303091	GEAR. TL310 LP=396 R=1:1,6 SF	MOLT. TL310 LP=396 R=1:1,6 SF	GETR. TL310 VERL.=396 1:1,6 OHNE FL	BOIT. TL310 LP=396 R=1:1,6 SF	MULT. TL310 LP=396 R=1:1,6 SF	
023	11303183	GEAR. TL310 LP=396 R1:3-R.L. A.P.	MOLT. TL310 LP=396 R1:3-R.L. A.P.	GETR. TL310 VERL.=396 1:3 FL DURCHTR.	BOIT. TL310 LP=396 R1:3-R.L. A.P.	MULT. TL310 LP=396 R1:3-R.L. A.P.	L=105 + OPT 313
023	11303183	GEAR. TL310 LP=396 R1:3-R.L. A.P.	MOLT. TL310 LP=396 R1:3-R.L. A.P.	GETR. TL310 VERL.=396 1:3 FL DURCHTR.	BOIT. TL310 LP=396 R1:3-R.L. A.P.	MULT. TL310 LP=396 R1:3-R.L. A.P.	L=105 + OPT 313
023	11303185	GEAR. TL310 LP=646 R1:3-R.L. A.P.	MOLT. TL310 LP=646 R1:3-R.L. A.P.	GETR. TL310 VERL.=646 1:3 FL DURCHTR.	BOIT. TL310 LP=646 R1:3-R.L. A.P.	MULT. TL310 LP=646 R1:3-R.L. A.P.	L=155 + OPT 313
023	11303185	GEAR. TL310 LP=646 R1:3-R.L. A.P.	MOLT. TL310 LP=646 R1:3-R.L. A.P.	GETR. TL310 VERL.=646 1:3 FL DURCHTR.	BOIT. TL310 LP=646 R1:3-R.L. A.P.	MULT. TL310 LP=646 R1:3-R.L. A.P.	L=155 + OPT 313
023	11303186	GEAR. TL310 LP=746 R1:3-R.L. A.P.	MOLT. TL310 LP=746 R1:3-R.L. A.P.	GETR. TL310 VERL.=746 1:3-FL DURCHTR.	BOIT. TL310 LP=746 R1:3-R.L. A.P.	MULT. TL310 LP=746 R1:3-R.L. A.P.	L=175 + OPT 313
023	11303186	GEAR. TL310 LP=746 R1:3-R.L. A.P.	MOLT. TL310 LP=746 R1:3-R.L. A.P.	GETR. TL310 VERL.=746 1:3-FL DURCHTR.	BOIT. TL310 LP=746 R1:3-R.L. A.P.	MULT. TL310 LP=746 R1:3-R.L. A.P.	L=175 + OPT 313

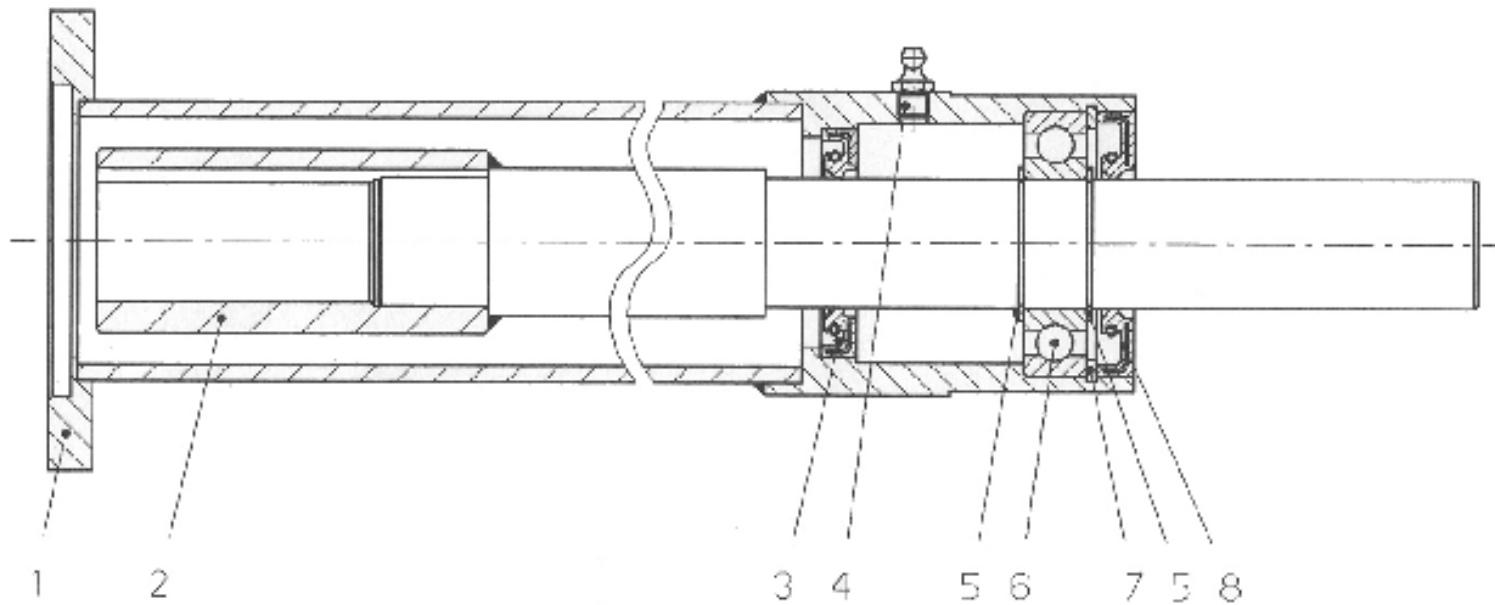
Pos.	Code	Description	Descrizione	Beschreibung	Description	Descripción	Info
023	11303187	GEAR.TL310 LP=871 R1:3-R.L. A.P.	MOLT.TL310 LP=871 R1:3-R.L. A.P.	GETR.TL310 VERL.=871 1:3-FL DURCHTR.	BOIT.TL310 LP=871 R1:3-R.L. A.P.	MULT.TL310 LP=871 R1:3-R.L. A.P.	L=200 + OPT 313
023	11303187	GEAR.TL310 LP=871 R1:3-R.L. A.P.	MOLT.TL310 LP=871 R1:3-R.L. A.P.	GETR.TL310 VERL.=871 1:3-FL DURCHTR.	BOIT.TL310 LP=871 R1:3-R.L. A.P.	MULT.TL310 LP=871 R1:3-R.L. A.P.	L=200 + OPT 313
024	11302030	SPACING BUSHING F.ROTOR SML	BOCCOLA 40 X 48,3 X 18	DISTANZBUECHSE 40X48,3 X18 F.ROTOR SML	ENTRET.DIA.40X48,3X18	CASQUILLO 40 X 48,3 X 18	
024	11302030	SPACING BUSHING F.ROTOR SML	BOCCOLA 40 X 48,3 X 18	DISTANZBUECHSE 40X48,3 X18 F.ROTOR SML	ENTRET.DIA.40X48,3X18	CASQUILLO 40 X 48,3 X 18	
025	97036611	GREASE NIPPLE UNI 7663 AM 6-5.8	INGRASS DIRITTO UNI 7663 AM 6X1(5-8CH7	SCHMIERNIPPEL UNI 7663 AM 6X1 (5-8)	GRAISSEUR UNI 7663 AM 6-5.8	LUBRICADOR UNI 7663 AM 6X1(5-8CH7	
025	97036611	GREASE NIPPLE UNI 7663 AM 6-5.8	INGRASS DIRITTO UNI 7663 AM 6X1(5-8CH7	SCHMIERNIPPEL UNI 7663 AM 6X1 (5-8)	GRAISSEUR UNI 7663 AM 6-5.8	LUBRICADOR UNI 7663 AM 6X1(5-8CH7	
026	97494934	WASHER ELSP ASA B- 27 - 10,2X18,1X2,2 N	ROSETTA ELSP ASA B-27- 10,2X18,1X2,2 N	SCHEIBE ELSP ASA B- 27 - 10,2X18,1X2,2 N	RONDELLE ELS ASA B- 27 - 10,2X18,1X2,2 N	ARANDELA ELSP ASA B-27- 10,2X18,1X2,2 N	
026	97494934	WASHER ELSP ASA B- 27 - 10,2X18,1X2,2 N	ROSETTA ELSP ASA B-27- 10,2X18,1X2,2 N	SCHEIBE ELSP ASA B- 27 - 10,2X18,1X2,2 N	RONDELLE ELS ASA B- 27 - 10,2X18,1X2,2 N	ARANDELA ELSP ASA B-27- 10,2X18,1X2,2 N	

SEPPI M.
03-0030



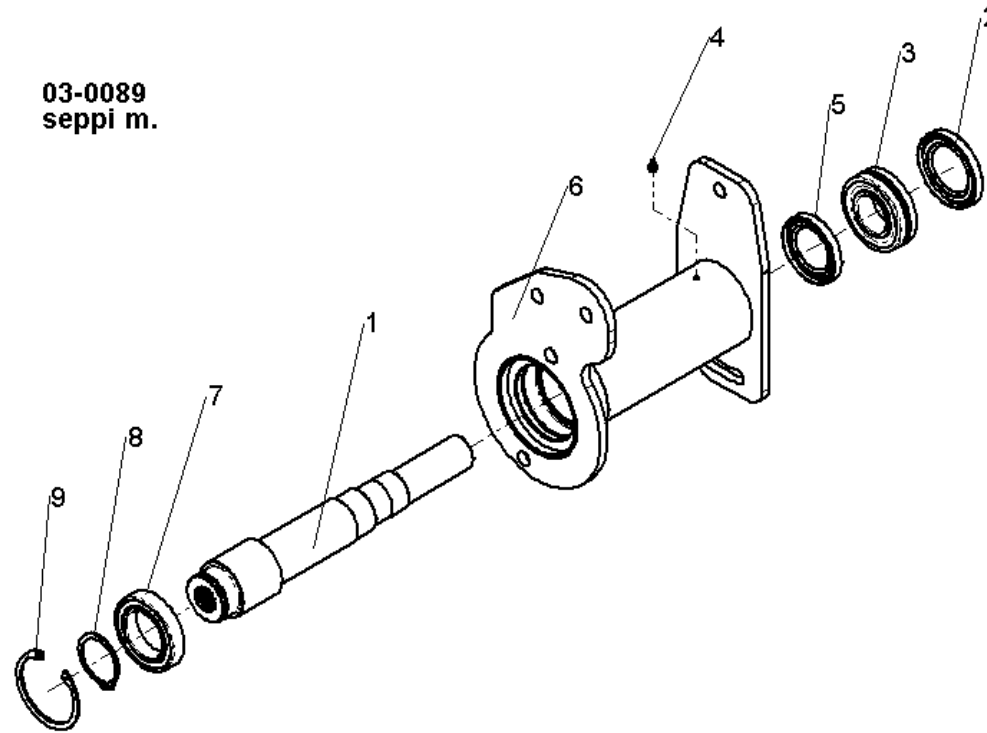
Pos.	Code	Description	Descrizione	Beschreibung	Description	Descripción	Info
001	48030615	SPL.SHAFT F.W. 1"3/8 Z6 (0.311.3201.00)	ALBERO CALETT.RL 1"3/8Z6 (0.311.3201.00)	NUTENWELLE F.L. 1"3/8 Z6 (0.311.3201.00)	ARBRE CAN.R.L. 1"3/8 Z6 (0.311.3201.00)	EJE C/MUESCAS X RL 1"3/8 Z6 (0311320100)	
001	48030993	CROS.SPLIN.SHAFT.F.W. (0.311.4200.00)	ALBERO CALETT.PASS.RL (0.311.4200.00)	DURCHTR. WELLE. F.L. (0.311.4200.00)	ARBRE PASS.CANALE.R.L. (0.311.4200.00)	EJE PAS. CON MUESCAS X R.L. (0311420000)	OPT 313
002	48403230	CAP .1/4 GAS(8.6.5.00339)	TAPPO CONICO ESAG.1/4 GAS(8.6.5.00339)	KEGELPFROPFEN 1/4" GAS (8.6.5.00339)	BOUCHON CONIQ. ESAG.1/4 GAS(8.6.5.00339)	TAPON CONICO ESAG.1/4 GAS (8.6.5.00339)	
003	48030617	OIL SEAL LAB/P 35X80X10 (8.7.1.00315)	ANELLO DI TEN.LAB/P 35X80X10(8.7.1.00315)	DICHTUNGSRING LAB/P35X80X10(8.7.1.00315)	BAGUE ETACH.LAB/P 35X80X10(8.7.1.00315)	RETEN 35X80X10(8.7.1.00315)	
004	96874776	EL.RING F.HOLES 80X2,5	ANELLO EL. PER FORI 80X2,5 UNI7437	SEEG.RING F.LOECHE 80X2,5	BAGUE ARRET P.TROUS 80X2,5	RETEN EL.P.ORIFIC. 80X2,5	
005	48030884	SPACER 69.0X79.9 (0.267.7503.00)	SPESSORE REG.69,0X79.9X0,3 (0.267.7503.00)	DISTANZSCHEIBE 69,0 X 79,9 X 0,3	EPAISSEUR 69.0X79.9 (0.267.7503.00)	COJINETE REG.69,0X79.9X0,3 (0.267.7503.00)	
006	75000029	BEARING 6307 A SFERE	CUSCINETTO 6307 35X 80X21 RAD.SFE	KUGELLAGER 6307 35X 80X21 RAD.	ROULEMENT 6307 A SFERE	RODAMIENTO 6307 35X 80X21 ESFERAS	
007	48030618	TAPER CROWNWH 310.6010 X TL310 R1/3 R.L	CORONA CONICA RL Z36 M3,45(0.310.6010.00)	TELLERRAD Z=36 M3,45 (0.310.6010.00) FL	COUR.CONIQUE 310.6010 X TL310 R1/3 R.L.	CORONA CONICA RL Z36 M3,45 (0310601000)	
008	48030267	CLOSING CAP 80X10 (8.7.0.00790)	CAPPELOTTO DI CHIUS. 80X10(8.7.0.00790)	VERSCHLUSSKAPPE 80X10 (8.7.0.00790)	CHAPEAU FERMETEUR 80X10 (8.7.0.00790)	SOMBRETERE DE CIERRE 80X10(8.7.0.00790)	
009	48030799	FEATHER FOR FREE WHEEL (0.267.7109.00)	LINGUETTA X RL (0.267.7109.00)	PASSFEDER F. FREILAUF (0.267.7109.00)	LANGUETT.P.R.L. (0.267.7109.00)	LENGÜETA PARA RUEDA LIBRE (0267710900)	
010	48030889	PINION SHAFT Z= 12;M=3,45 (0.310.5002.00)	ALBERO PIGNONE Z12 M3,45 (0.310.5002.00)	KEGELRAD Z=12 M3,45 (0.310.5002.0)	ARBRE PIGNON Z= 12;M=3,45(0.310.5002.00)	EJE PIÑON Z12 M 3,45 (0.310.5002.00)	
011	48403046	GEARBOX T 2 (0.310.0300.00)	SCATOLA IN GHISA X T2 (0.310.0300.00)	GUSSGEGÄUSE F. T2 (0.310.0300.00)	BOITIER T 2 (0.310.0300.00)	CAJA EN ALEACION X T2 (0.310.0300.00)	
012	36902003	BEARING 6207 35X72X17 BALL BEARING	CUSCINETTO 6207 35X 72X17 RAD.SFE	KUGELLAGER 6207 35X 72X17 RAD.	ROULEMENT 6207 35X72X17 ROULEM.A BILLES	RODAMIENTO 6207 35X 72X17 ESFERAS	
013	96864576	EL.RING F.SHAFTS 35X2,5	ANELLO EL. PER ALBERI 35X2,5	WELLENSPANNRING 35X2,5	BAGUE ARRET P.ARBRES 35X2,5	RETEN EL.P.EJES 35X2,5	
014	48030180	OIL SEAL 35 X 72 X10	ANELLO DI TENUTA 35 X 72 X10	DICHTUNGSRING 35 X 72 X10	BAGUE ETACH. 35 X 72 X10	RETEN 35 X 72 X10	
015	48030900	FEATHER A 10X 8 X 45 (8.4.1.00314)	LINGUETTA A- 10 X 8 X 45 (8.4.1.00314)	PASSFEDER A 10X 8 X 45 (8.4.1.00314)	LANGUETTE A 10X 8 X 45 (8.4.1.00314)	LENGÜETA A 10 X 8 X 45 (8.4.1.00314)	
016	96607627	BOLT TE M 10X025 UNI 5739 8.8 BLACK	VITE TE M10X 25 UNI 5739 8.8 NERA	SCHRAUBE TE M 10X25 UNI 5739 8.8 SCHW	VIS TE M 10X025 UNI 5739 8.8 NOIRE	TORNILLO TE M10X 25 UNI 5739 8.8 NEGRO	
017	48030003	CAP 3/8"G (8.6.7.00161) NPT	TAPPO SFIATO 3/8"G (8.6.7.00161)NPT CON.	ENTLUEFTUNGSPFROPFEN 3/8"G (8.6.7.00161)	BOUCHON 3/8"G (8.6.7.00161) NPT	TAPON CON RESP. 3/8"G (8.6.7.00161)NPT	
018	48030246	CAP EXT.HEX. 3/8 NPT (8.6.5.00006)	TAPPO ESAG. EST.13 3/8 NPT (8.6.5.00006)	PFROPFEN EXT.13 3/8 NPT (8.6.5.00006)	BOUCHON HEX.EXT. 3/8 NPT(8.6.5.00006)	TAPON EXAGONO. EST.13 3/8 NPT (86500006)	
019	48030281	SPACER 35,3 X 48 (0.259.7500.00)	SPESSORE REG.48,3X35,3X0,3 (0.259.7503.00)	DISTANZSCHEIBE 48,3 X 35,3 X 0,3	EPAISSEUR 35,3 X 48 (0.259.7500.00)	COJINETE REG.48,3X35,3X0,3 (0.259.7503.00)	
020	75000200	BEARING 30207 35X72X18,25 RUL.CON	CUSCINETTO 30207 35X 72X18,25 RUL.CON	KON. ROLLENLAGER 30207 35X72X18,25	ROULEMENT 30207 35X72X18,25 RUL.CON	RODAM. 30207 35X72X18,25 ROD. CONICOS	
021	48030788	BOLT TE M 10X022 UNI 5739 8.8 BLACK	VITE TE M10X 22 UNI 5739 8.8(1.1.00501)	SCHRAUBE TE M 10X22 UNI 5739 8.8 SCHW	VIS TE M 10X022 UNI 5739 8.8 NOIRE	TORNILLO TE M10X22 UNI 5739 8.8 1100501	
022	48030887	COVER T 1 (0.310.1300.00)	COPERCHIO (0.310.1300.00) T2	DECKEL F. T2 (0.310.1300.00)	COUVERCLE T 1 (0.310.1300.00)	TAPA X T2 (0.310.1300.00)	
024	48030982	EL.RING F.SHAFTS 42 (8.5.1.00712)	ANELLO EL. PER ALBERI 42 (8.5.1.00712)	WELLENSPANNRING 42 (8.5.1.00712)	BAGUE ARRET P.ARBRES 42 (8.5.1.00712)	RETEN EL.P.EJES 42 (8.5.1.00712)	
025	48030983	SPRING FOR FREE WHEEL (0.267.7110.00)	MOLLA A LAMINA RL (0.267.7110.00)	FEDER F. FREILAUF (0.267.7110.00)	RESSORT P.R.L. (0.267.7110.00)	MUELLE PLANO P/RUEDA LIBRE (0267711000)	

seppi m.
03-0058



Pos.	Code	Description	Descrizione	Beschreibung	Description	Descripción	Info
001	11303050	EXT.SH.L= 276 X GEAR. TL 310	PROLUNGA L= 276 MOLT. TL 310	VERLAENGERUNG L=276 TL 310	PROL.L= 276 X BOIT. TL 310	PROLONGACION L= 276 X CAJA TL 310	OPT 206
001	11303050	EXT.SH.L= 276 X GEAR. TL 310	PROLUNGA L= 276 MOLT. TL 310	VERLAENGERUNG L=276 TL 310	PROL.L= 276 X BOIT. TL 310	PROLONGACION L= 276 X CAJA TL 310	OPT 206 L>=105 - L=200
001	11303051	EXT.SH.L= 396 X GEAR. TL 310	PROLUNGA L= 396 MOLT. TL 310	VERLAENGERUNG L=396 TL 310	PROL.L= 396 X BOIT. TL 310	PROLONGACION L= 396 X CAJA TL 310	L=105
001	11303052	EXT.SH.L= 496 X GEAR. TL 310	PROLUNGA L= 496 MOLT. TL 310	VERLAENGERUNG L=496 TL 310	PROL.L= 496 X BOIT. TL 310	PROLONGACION L= 496 X CAJA TL 310	L=125 # (OPT 208 + L=155 - L=200)
001	11303052	EXT.SH.L= 496 X GEAR. TL 310	PROLUNGA L= 496 MOLT. TL 310	VERLAENGERUNG L=496 TL 310	PROL.L= 496 X BOIT. TL 310	PROLONGACION L= 496 X CAJA TL 310	L=125 # OPT 208
001	11303053	EXT.SH.L= 646 X GEAR. TL 310	PROLUNGA L= 646 MOLT. TL 310	VERLAENGERUNG L=646 TL 310	PROL.L= 646 X BOIT. TL 310	PROLONGACION L= 646 X CAJA TL 310	L=155
001	11303054	EXT.SH.L= 746 X GEAR. TL 310	PROLUNGA L= 746 MOLT. TL 310	VERLAENGERUNG L=746 TL 310	PROL.L= 746 X BOIT. TL 310	PROLONGACION L= 746 X CAJA TL 310	L=175
001	11303055	EXT.SH.L= 871 X GEAR. TL 310	PROLUNGA L= 871 MOLT. TL 310	VERLAENGERUNG L=871 TL 310	PROL.L= 871 X BOIT. TL 310	PROLONGACION L= 871 X CAJA TL 310	L=200
002	11303056	CPL SHAFT EXT.SH.L= 276 X GEAR. TL310	ALBERO CPL X PROL. L=276 X MOLT. TL310	KPL WELLE F.VERL. L.= 276 X GETR. TL310	ARBRE CPL P.PROL.L= 276 X BOIT. TL310	EJE CPL P.PROL.L= 276 X MULT. TL310	OPT 206
002	11303057	CPL SHAFT EXT.SH.L= 396 X GEAR. TL310	ALBERO CPL X PROL. L=396 X MOLT. TL310	KPL WELLE F.VERL. L= 396 X GETR. TL310	ARBRE CPL P.PROL.L= 396 X BOIT. TL310	EJE CPL P.PROL.L= 396 X MULT. TL310	L=105
002	11303058	CPL SHAFT EXT.SH.L= 496 X GEAR. TL310	ALBERO CPL X PROL. L=496 X MOLT. TL310	KPL WELLE F.VERL. L= 496 X GETR. TL310	ARBRE CPL P.PROL.L= 496 X BOIT. TL310	EJE CPL P.PROL.L= 496 X MULT. TL310	L=125
002	11303058	CPL SHAFT EXT.SH.L= 496 X GEAR. TL310	ALBERO CPL X PROL. L=496 X MOLT. TL310	KPL WELLE F.VERL. L= 496 X GETR. TL310	ARBRE CPL P.PROL.L= 496 X BOIT. TL310	EJE CPL P.PROL.L= 496 X MULT. TL310	L=125 # OPT 208
002	11303059	CPL SHAFT EXT.SH.L= 646 X GEAR. TL310	ALBERO CPL X PROL. L=646 X MOLT. TL310	KPL WELLE F.VERL. L= 646 X GETR. TL310	ARBRE CPL P.PROL.L= 646 X BOIT. TL310	EJE CPL P.PROL.L= 646 X MULT. TL310	L=155
002	11303060	CPL SHAFT EXT.SH.L= 746 X GEAR. TL310	ALBERO CPL X PROL. L=746 X MOLT. TL310	KPL WELLE F.VERL. L= 746 X GETR. TL310	ARBRE CPL P.PROL.L= 746 X BOIT. TL310	EJE CPL P.PROL.L= 746 X MULT. TL310	L=175
002	11303061	CPL SHAFT EXT.SH.L= 871 X GEAR. TL310	ALBERO CPL X PROL. L=871 X MOLT. TL310	KPL WELLE F.VERL. L= 871 X GETR. TL310	ARBRE CPL P.PROL.L= 871 X BOIT. TL310	EJE CPL P.PROL.L= 871 X MULT. TL310	L=200
003	15003059	OIL SEAL 35 X 62 X10	ANELLO DI TENUTA 35 X 62 X10	DICHTUNGSRING 35 X 62 X10	BAGUE ETACH. 35 X 62 X10	RETEN 35 X 62 X10	
004	97036711	GREASE NIPPLE UNI 7663 AM M8X1,25	INGRASS DIRITTO UNI 7663 AM 8X1,25	SCHMIERNIPPEL UNI 7663 AM M8X1,25	GRAISSEUR UNI 7663 AM M8X1,25	LUBRICADOR UNI 7663 AM 8X1,25	
005	96867176	EL.RING F.SHAFTS 35X1,5	ANELLO EL. PER ALBERI 35X1,5	WELLENSPANNRING 35X1,5	BAGUE ARRET P.ARBRES 35X1,5	RETEN EL.P.EJES 35X1,5	
006	36902003	BEARING 6207 35X72X17 BALL BEARING	CUSCINETTO 6207 35X 72X17 RAD.SFE	KUGELLAGER 6207 35X 72X17 RAD.	ROULEMENT 6207 35X72X17 ROULEM.A BILLES	RODAMIENTO 6207 35X 72X17 ESFERAS	
007	96874476	EL.RING F.HOLES 72X2,5	ANELLO EL. PER FORI 72X2,5	SEEGERRING F.LOECHER 72X2,5	BAGUE ARRET P.TROUS 72X2,5	RETEN EL.P.ORIFIC. 72X2,5	
008	48030180	OIL SEAL 35 X 72 X10	ANELLO DI TENUTA 35 X 72 X10	DICHTUNGSRING 35 X 72 X10	BAGUE ETACH. 35 X 72 X10	RETEN 35 X 72 X10	

03-0089
seppi m.



Pos.	Code	Description	Descrizione	Beschreibung	Description	Descripción	Info
001	13603015	CPL SHAFT F.EXTENS.SHAF.HSMO/B MOT.HYD	ALBERO CPL L= 260 HP 16/32" Z=15	KPL WELLE F. VERLAENGERUNG HSMO/B MOT.HP	ARBRE CPL POUR PROLONGE HSMO/B MOT.HYD	EJE CPL L= 260 HP 16/32" Z=15	
002	48030181	OIL SEAL 50 X 80 X10	ANELLO DI TENUTA 50 X 80 X10	DICHTUNGSRING 50 X 80 X10	BAGUE ETACH. 50 X 80 X10	RETEN 50 X 80 X10	
003	19403058	BEARING 22208 E 40/80/23	CUSCINETTO 22208 E 40X 80X23 OR.RULLI	VERST. ROLLENLAGER 22208 E 40X80X23	ROULEMENT 22208 E 40/80/23	RODAMIENTO 22208 E 40X 80X23 RODILLOS	
004	97036611	GREASE NIPPLE UNI 7663 AM 6-5.8	INGRASS DIRITTO UNI 7663 AM 6X1(5-8CH7	SCHMIERNIPPEL UNI 7663 AM 6X1 (5-8)	GRAISSEUR UNI 7663 AM 6- 5.8	LUBRICADOR UNI 7663 AM 6X1(5-8CH7	
005	48030085	OIL SEAL 45 X 72 X10	ANELLO DI TENUTA 45 X 72 X10	DICHTUNGSRING 45 X 72 X10	BAGUE ETACH. 45 X 72 X10	RETEN 45 X 72 X10	
006	11003043	EXT.SHAFT SMWA- HYD.LINKAGE SAE-B 2 HOLE	PROLUNGA L= 260 SAE-B 2 FORI MOT HP	VERLAENGERUNG SMWA- HYDR.	PROLONGE SMWA- HYD.ATCHASSIS AGE SAE-B 2	PROL. L= 260 SAE-B 2 ORIFICIO MOT HP	
007	13003186	BEARING 6010 2RS1 50X 80X16	CUSCINETTO 6010 2RS1 50X 80X16 RAD.SFE	KUGELLAGER 6010 2RS1 50X 80X16 RAD.	ROULEMENT 6010 2RS1 50X 80X16	RODAMIENTO 6010 2RS1 50X 80X16 ESFERAS	
008	96867876	ELASTIC RING FOR SHAFTS 50X2	ANELLO EL. PER ALBERI 50X2	WELLENSPANNRING 50X2	BAGUE ARRET POUR ARBRES 50X2	RETEN EL.P.EJES 50X2	
009	96874776	EL.RING F.HOLES 80X2,5	ANELLO EL. PER FORI 80X2,5 UNI7437	SEEG.RING F.LOECHER 80X2,5	BAGUE ARRET P.TROUS 80X2,5	RETEN EL.P.ORIFIC. 80X2,5	

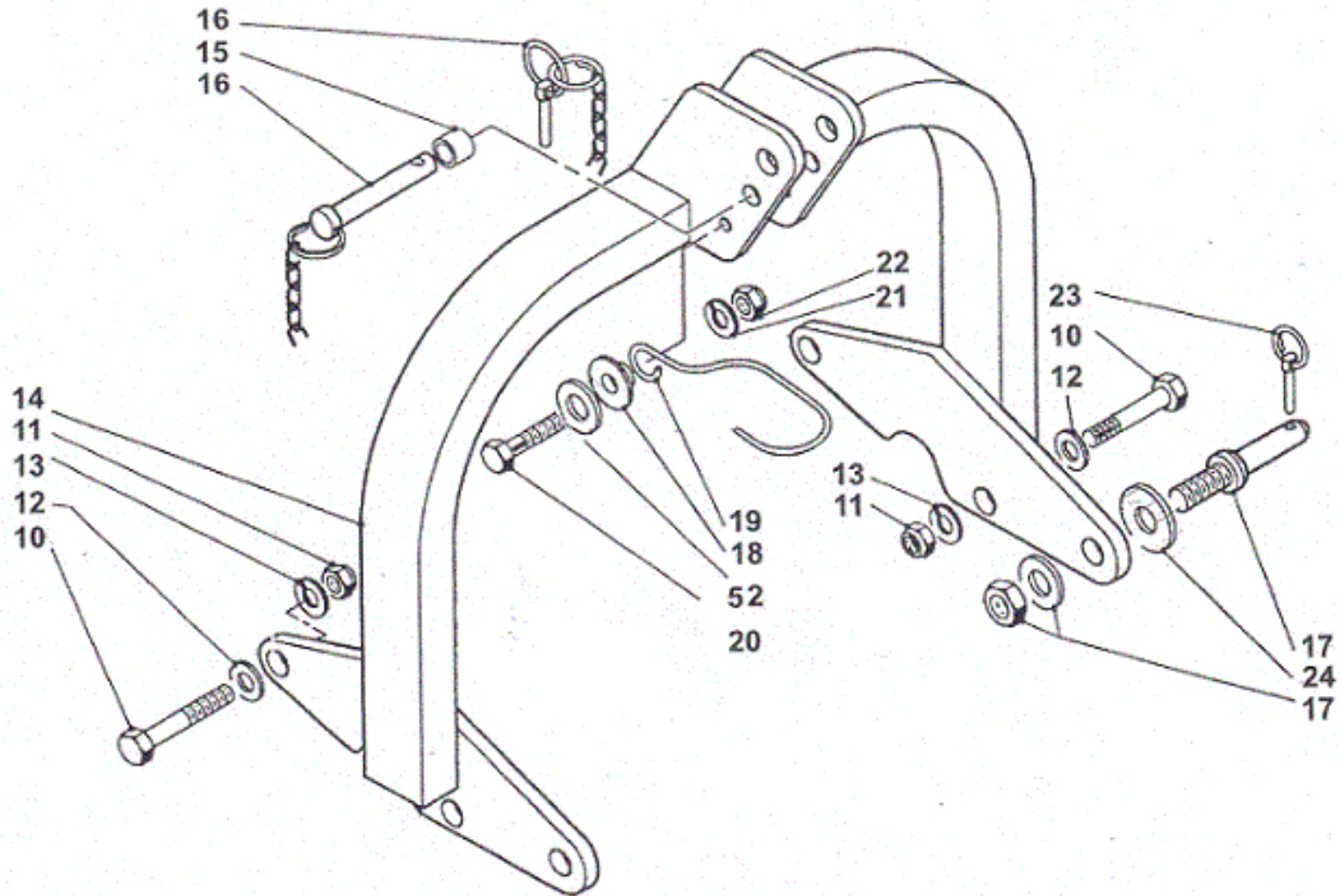
Three-point-hitch frame

attacco a tre punti

Drei-Punkt Anbau

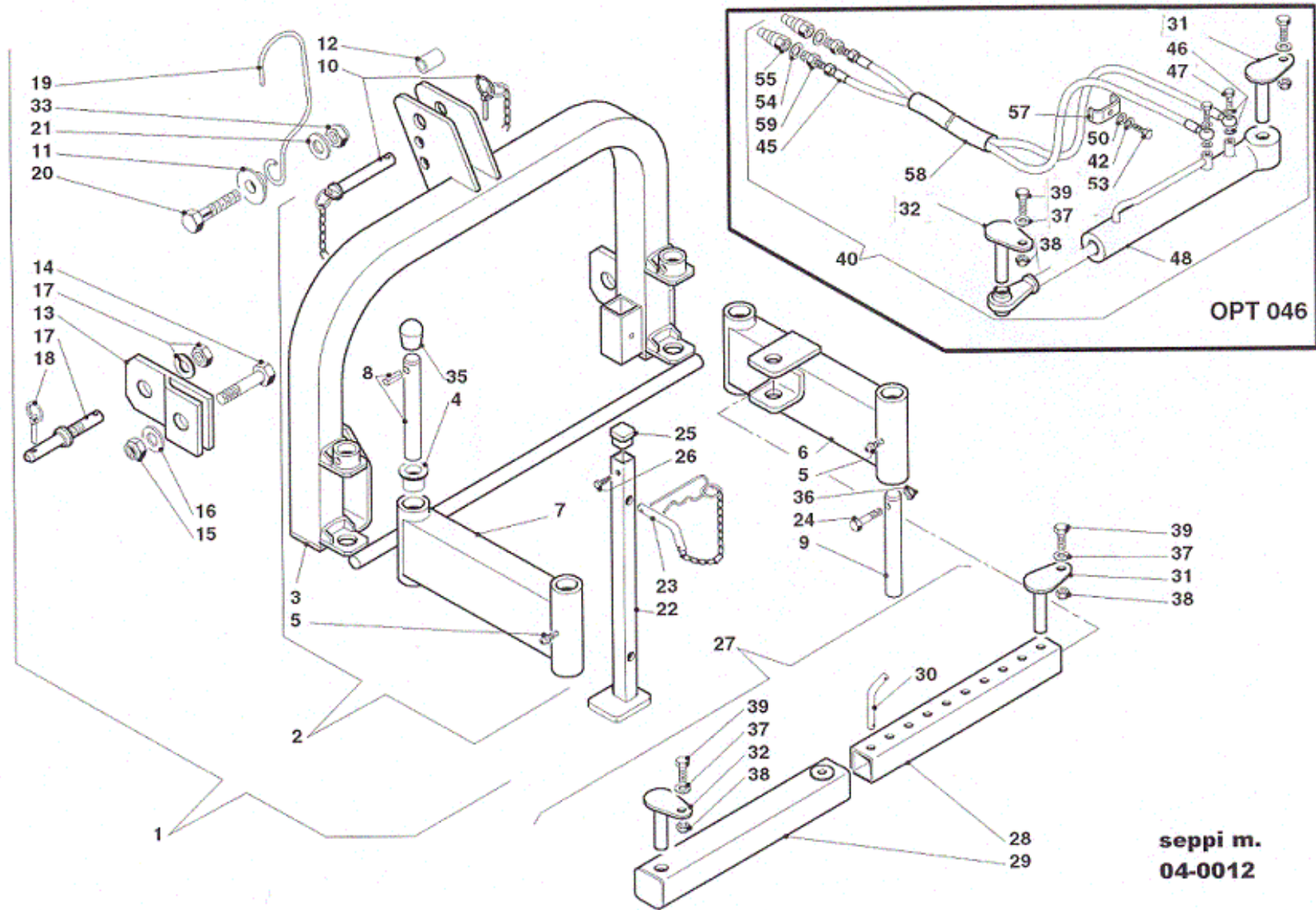
Attelage tri-points

Connexión tres-puntos



Pos.	Code	Description	Descrizione	Beschreibung	Description	Descripción	Info
001	11011001	CPL SLEEVE FOR SMALL SUPPORT	CANOTTO DI REGISTRO CPL PIEDINO PICC	HUELSE F. KLEINEN STUETZFUSS	FOURREAU CPL POUR PETIT SUPPORT	TUBO CPL DE REGISTRO X SOPORTE PEQUENO	
001	11011001	CPL SLEEVE FOR SMALL SUPPORT	CANOTTO DI REGISTRO CPL PIEDINO PICC	HUELSE F. KLEINEN STUETZFUSS	FOURREAU CPL POUR PETIT SUPPORT	TUBO CPL DE REGISTRO X SOPORTE PEQUENO	
002	13011019	CAP F.SMALL SUPPORT QUIA 30X30	TAPPO PER PIEDINO PICCOLO 30X30	PFROPFEN F.KLEINEN STUETZFUSS 30X30	BOUCHON P.SUPPORT PETIT QUIA 30X30	TAPON X PIE CHICO 30X30	
002	13011019	CAP F.SMALL SUPPORT QUIA 30X30	TAPPO PER PIEDINO PICCOLO 30X30	PFROPFEN F.KLEINEN STUETZFUSS 30X30	BOUCHON P.SUPPORT PETIT QUIA 30X30	TAPON X PIE CHICO 30X30	
003	13011009	SUPPORT FOOT SMO,SMW/O/A,SML	PIEDINO DI SOSTEGNO SMO,SMW/O/A,SML	STUETZFUSS KPL. SMO,SMW/O/A,SML	BEQUILLE SMO,SMW/O/A,SML	PIE SOPORTE SMO,SMW/O/A,SML	
003	13011009	SUPPORT FOOT SMO,SMW/O/A,SML	PIEDINO DI SOSTEGNO SMO,SMW/O/A,SML	STUETZFUSS KPL. SMO,SMW/O/A,SML	BEQUILLE SMO,SMW/O/A,SML	PIE SOPORTE SMO,SMW/O/A,SML	
004	97486611	BOLT AUTOF. TYPE C 6,3 X 19 UNI 8117	VITE AUTOF. TIPO C 6,3 X 19 UNI 8117 V	SCHRAUBE TYP C 6,3 X 19 UNI 8117 V	VIS AUTOF. TYPE C 6,3 X 19 UNI 8117 V	TORNILLO AUTOROSC. TIPO C6,3X19 UNI8117V	
004	97486611	BOLT AUTOF. TYPE C 6,3 X 19 UNI 8117	VITE AUTOF. TIPO C 6,3 X 19 UNI 8117 V	SCHRAUBE TYP C 6,3 X 19 UNI 8117 V	VIS AUTOF. TYPE C 6,3 X 19 UNI 8117 V	TORNILLO AUTOROSC. TIPO C6,3X19 UNI8117V	
005	96610021	BOLT TE M 12X035 UNI 5739 8.8 ZN	VITE TE M12X 35 UNI 5739 8.8 ZN	SCHRAUBE TE M 12 X 35 UNI 5739 8,8 ZN	VIS TE M 12X035 UNI 5739 8.8 ZN	TORNILLO TE M12X 35 UNI 5739 8.8 ZN	
005	96610021	BOLT TE M 12X035 UNI 5739 8.8 ZN	VITE TE M12X 35 UNI 5739 8.8 ZN	SCHRAUBE TE M 12 X 35 UNI 5739 8,8 ZN	VIS TE M 12X035 UNI 5739 8.8 ZN	TORNILLO TE M12X 35 UNI 5739 8.8 ZN	
006	97972021	LOW.SELFBLOCK.NUT M 12-6S UNI7474	DADO AUTOBLOC.BASSO M12-6S UNI7474	SELBSTSICHER.MUTTER M12-6S UNI7474 NIED.	ECROU AUTOSERR.M 12-6S UNI7474	TUERCA AUTO BLOQ. BAJA M 12-6S UNI7474	
006	97972021	LOW.SELFBLOCK.NUT M 12-6S UNI7474	DADO AUTOBLOC.BASSO M12-6S UNI7474	SELBSTSICHER.MUTTER M12-6S UNI7474 NIED.	ECROU AUTOSERR.M 12-6S UNI7474	TUERCA AUTO BLOQ. BAJA M 12-6S UNI7474	
007	14311010	PIN FOR SUPPORT (VS.COD. 33541)	SPINA PER PIEDINO	SPEERBOLZEN F. STUETZFUSS	GOUJON P.SUPPORT (VS.COD. 33541)	PERNO X PIE	
007	14311010	PIN FOR SUPPORT (VS.COD. 33541)	SPINA PER PIEDINO	SPEERBOLZEN F. STUETZFUSS	GOUJON P.SUPPORT (VS.COD. 33541)	PERNO X PIE	
008	97495034	WASHER ELSP ASA B- 27 - 12,2X21,2X2,5 N	ROSETTA ELSP ASA B-27-12,2X21,2X2,5 N	SCHEIBE ELSP ASA B- 27 - 12,2X21,2X2,5 N	RONDELLE ELS ASA B- 27 - 12,2X21,2X2,5 N	ARANDELA ELSP ASA B-27-12,2X21,2X2,5 N	
008	97495034	WASHER ELSP ASA B- 27 - 12,2X21,2X2,5 N	ROSETTA ELSP ASA B-27-12,2X21,2X2,5 N	SCHEIBE ELSP ASA B- 27 - 12,2X21,2X2,5 N	RONDELLE ELS ASA B- 27 - 12,2X21,2X2,5 N	ARANDELA ELSP ASA B-27-12,2X21,2X2,5 N	
009	97095311	SMOOTH WASHER UNI 6592 - 12X24X2,5 ZN	ROSETTA PIANA UNI 6592-12,0X24X2,5 ZN	GLATTE SCHEIBE UNI 6592 - 12X24X2,5 ZN	RONDELL.LISSE UNI 6592 - 12X24X2,5 ZN	ARANDELA PLANA UNI 6592-12,0X24X2,5 ZN	
009	97095311	SMOOTH WASHER UNI 6592 - 12X24X2,5 ZN	ROSETTA PIANA UNI 6592-12,0X24X2,5 ZN	GLATTE SCHEIBE UNI 6592 - 12X24X2,5 ZN	RONDELL.LISSE UNI 6592 - 12X24X2,5 ZN	ARANDELA PLANA UNI 6592-12,0X24X2,5 ZN	
010	96612721	BOLT TE M 14X055 UNI 5739 8.8 ZN	VITE TE M14X 55 UNI 5739 8.8 ZN	SCHRAUBE TE M 14 X 55 UNI 5739 8,8 ZN	VIS TE M 14X055 UNI 5739 8.8 ZN	TORNILLO TE M14X 55 UNI 5739 8.8 ZN	
010	96612721	BOLT TE M 14X055 UNI 5739 8.8 ZN	VITE TE M14X 55 UNI 5739 8.8 ZN	SCHRAUBE TE M 14 X 55 UNI 5739 8,8 ZN	VIS TE M 14X055 UNI 5739 8.8 ZN	TORNILLO TE M14X 55 UNI 5739 8.8 ZN	
011	97972321	LOW.SELFBLOCK.NUT M 14-6S UNI7474	DADO AUTOBLOC.BASSO M14-6S UNI7474	SELBSTSICHER.MUTTER M14-6S UNI7474 NIED.	ECROU AUTOSERR.M 14-6S UNI7474	TUERCA AUTO BLOQ. BAJA M 14-6S UNI7474	
011	97972321	LOW.SELFBLOCK.NUT M 14-6S UNI7474	DADO AUTOBLOC.BASSO M14-6S UNI7474	SELBSTSICHER.MUTTER M14-6S UNI7474 NIED.	ECROU AUTOSERR.M 14-6S UNI7474	TUERCA AUTO BLOQ. BAJA M 14-6S UNI7474	
012	97093311	SMOOTH WASHER M 14 UNI 5714 ZN	ROSETTA PIANA CARPENT.X M14 UNI 5714 ZN	GLATTE SCHEIBE F. M 14 UNI 5714 ZN	RONDELLE LISSE M 14 UNI 5714 ZN	ARANDELA PLANA M14 UNI 5714 ZN	
012	97093311	SMOOTH WASHER M 14 UNI 5714 ZN	ROSETTA PIANA CARPENT.X M14 UNI 5714 ZN	GLATTE SCHEIBE F. M 14 UNI 5714 ZN	RONDELLE LISSE M 14 UNI 5714 ZN	ARANDELA PLANA M14 UNI 5714 ZN	
012	97095511	SMOOTH WASHER UNI 6592 - 14X28X2,5 ZN	ROSETTA PIANA UNI 6592-14,0X28X2,5 ZN	GLATTE SCHEIBE UNI 6592 - 14X28X2,5 ZN	RONDELL.LISSE UNI 6592 - 14X28X2,5 ZN	ARANDELA PLANA UNI 6592-14,0X28X2,5 ZN	
012	97095511	SMOOTH WASHER UNI 6592 - 14X28X2,5 ZN	ROSETTA PIANA UNI 6592-14,0X28X2,5 ZN	GLATTE SCHEIBE UNI 6592 - 14X28X2,5 ZN	RONDELL.LISSE UNI 6592 - 14X28X2,5 ZN	ARANDELA PLANA UNI 6592-14,0X28X2,5 ZN	

Pos.	Code	Description	Descrizione	Beschreibung	Description	Descripción	Info
013	97495134	WASHER ELSP ASA B- 27 - 14,2X24,1X3 N	ROSETTA ELSP ASA B-27-14,2X24,1X3 N	SCHEIBE ELSP ASA B- 27 - 14,2X24,1X3 N	RONDELLE ELS ASA B- 27 - 14,2X24,1X3 N	ARANDELA ELSP ASA B-27-14,2X24,1X3 N	
013	97495134	WASHER ELSP ASA B- 27 - 14,2X24,1X3 N	ROSETTA ELSP ASA B-27-14,2X24,1X3 N	SCHEIBE ELSP ASA B- 27 - 14,2X24,1X3 N	RONDELLE ELS ASA B- 27 - 14,2X24,1X3 N	ARANDELA ELSP ASA B-27-14,2X24,1X3 N	
014	11004095	3-POINT LINKAGE (MOD. 99)	ATTACCO A 3 PUNTI (MOD.99) I CAT.	3-PUNKT-ANBAU KAT. I. (MOD. '99)	ATTELAGE 3-POINTS (MOD. 99)	ENGANCHE 3 PUNTOS (MOD. 99) I CATEG.	
014	11004095	3-POINT LINKAGE (MOD. 99)	ATTACCO A 3 PUNTI (MOD.99) I CAT.	3-PUNKT-ANBAU KAT. I. (MOD. '99)	ATTELAGE 3-POINTS (MOD. 99)	ENGANCHE 3 PUNTOS (MOD. 99) I CATEG.	
015	13004060	CONVERTER BUSHING 25X2,5X50	BUSSOLA DI CONVERSIONE 19,7X25,5 L=51	KONVERSIONRBUCHSE 19,7 X 25,5 L=51	DOUILLE DE CONVERSION 25X2,5X50	CASQUILLO DE CONVERSION 25X2,5X50	
015	13004060	CONVERTER BUSHING 25X2,5X50	BUSSOLA DI CONVERSIONE 19,7X25,5 L=51	KONVERSIONRBUCHSE 19,7 X 25,5 L=51	DOUILLE DE CONVERSION 25X2,5X50	CASQUILLO DE CONVERSION 25X2,5X50	
016	19704005	1.CAT.PIN 3° POINT+CHAIN+PIN 19	PERNO I CAT III PUNTO+CAT + SPINA D19	BOLZEN KAT I+III +KETTE+HUELSE D19	GOUJ.1.CAT. 3° POINT+CHAINE+GOUJON 19	PERNO 1 CAT. 3° PUNTO+CADENA+PERNO D19	
016	19704005	1.CAT.PIN 3° POINT+CHAIN+PIN 19	PERNO I CAT III PUNTO+CAT + SPINA D19	BOLZEN KAT I+III +KETTE+HUELSE D19	GOUJ.1.CAT. 3° POINT+CHAINE+GOUJON 19	PERNO 1 CAT. 3° PUNTO+CADENA+PERNO D19	
017	16004020	1.CAT.PIN 1°E 2° POINT RIMA33481	PERNO CPL: I CAT.1 E 2 PUNTO 08.01534	BOLZEN KAT. I F. UNTERLENKER	GOUJ.1.CAT. 1°E 2° POINT RIMA33481	PERNO CPL. 1 CAT.1 Y 2 PUNTOS 08.01534	
017	16004020	1.CAT.PIN 1°E 2° POINT RIMA33481	PERNO CPL: I CAT.1 E 2 PUNTO 08.01534	BOLZEN KAT. I F. UNTERLENKER	GOUJ.1.CAT. 1°E 2° POINT RIMA33481	PERNO CPL. 1 CAT.1 Y 2 PUNTOS 08.01534	
018	13004139	BOCCOLA PER P.T.O. SHAFT SUPPORT	BOCCOLA X GANCIO SOSTEGNO CARDANO	BUECHSE F. ANSCHLUSS KARDANHALTERUNG	BOCCOLA PER SUPPORT CARDAN	CASQUILLO PARA GANCHO SOPORTE CARDAN	
018	13004139	BOCCOLA PER P.T.O. SHAFT SUPPORT	BOCCOLA X GANCIO SOSTEGNO CARDANO	BUECHSE F. ANSCHLUSS KARDANHALTERUNG	BOCCOLA PER SUPPORT CARDAN	CASQUILLO PARA GANCHO SOPORTE CARDAN	
019	14404021	P.T.O. SHAFT SUPPORT	GANCIO SOSTEGNO CARDANO	KARDANHALTERUNG	SUPPORT CARDAN	GANCHO SOPORTE PARA CARDAN	
019	14404021	P.T.O. SHAFT SUPPORT	GANCIO SOSTEGNO CARDANO	KARDANHALTERUNG	SUPPORT CARDAN	GANCHO SOPORTE PARA CARDAN	
020	96609621	BOLT TE M 12X050 UNI 5737 8.8 ZN	VITE TE M12X 50 UNI 5737 8.8 ZN	SCHRAUBE TE M 12 X 50 UNI 5737 8,8 ZN	VIS TE M 12X050 UNI 5737 8.8 ZN	TORNILLO TE M12X 50 UNI 5737 8.8 ZN	
020	96609621	BOLT TE M 12X050 UNI 5737 8.8 ZN	VITE TE M12X 50 UNI 5737 8.8 ZN	SCHRAUBE TE M 12 X 50 UNI 5737 8,8 ZN	VIS TE M 12X050 UNI 5737 8.8 ZN	TORNILLO TE M12X 50 UNI 5737 8.8 ZN	
021	97495034	WASHER ELSP ASA B- 27 - 12,2X21,2X2,5 N	ROSETTA ELSP ASA B-27-12,2X21,2X2,5 N	SCHEIBE ELSP ASA B- 27 - 12,2X21,2X2,5 N	RONDELLE ELS ASA B- 27 - 12,2X21,2X2,5 N	ARANDELA ELSP ASA B-27-12,2X21,2X2,5 N	
021	97495034	WASHER ELSP ASA B- 27 - 12,2X21,2X2,5 N	ROSETTA ELSP ASA B-27-12,2X21,2X2,5 N	SCHEIBE ELSP ASA B- 27 - 12,2X21,2X2,5 N	RONDELLE ELS ASA B- 27 - 12,2X21,2X2,5 N	ARANDELA ELSP ASA B-27-12,2X21,2X2,5 N	
022	97972021	LOW.SELFBLOCK.NUT M 12-6S UNI7474	DADO AUTOBLOC.BASSO M12-6S UNI7474	SELBSTSICHER.MUTTER M12-6S UNI7474 NIED.	ECROU AUTOSERR.M 12-6S UNI7474	TUERCA AUTO BLOQ. BAJA M 12-6S UNI7474	
022	97972021	LOW.SELFBLOCK.NUT M 12-6S UNI7474	DADO AUTOBLOC.BASSO M12-6S UNI7474	SELBSTSICHER.MUTTER M12-6S UNI7474 NIED.	ECROU AUTOSERR.M 12-6S UNI7474	TUERCA AUTO BLOQ. BAJA M 12-6S UNI7474	
023	16004014	PIN D. 10	SPINA A SCATTO D.10	SPERRBOLZEN DM 10	GOUJON D. 10	PERNO A SCATTO D.10	
023	16004014	PIN D. 10	SPINA A SCATTO D.10	SPERRBOLZEN DM 10	GOUJON D. 10	PERNO A SCATTO D.10	
024	97096211	SMOOTH WASHER UNI 6592 - 25X44X4,0 ZN	ROSETTA PIANA UNI 6592-25,0X44X4,0 ZN	GLATTE SCHEIBE UNI 6592 - 25X44X4 ZN	RONDELL.LISSE UNI 6592 - 25X44X4,0 ZN	ARANDELA PLANA UNI 6592-25,0X44X4,0 ZN	
024	97096211	SMOOTH WASHER UNI 6592 - 25X44X4,0 ZN	ROSETTA PIANA UNI 6592-25,0X44X4,0 ZN	GLATTE SCHEIBE UNI 6592 - 25X44X4 ZN	RONDELL.LISSE UNI 6592 - 25X44X4,0 ZN	ARANDELA PLANA UNI 6592-25,0X44X4,0 ZN	
052	97095311	SMOOTH WASHER UNI 6592 - 12X24X2,5 ZN	ROSETTA PIANA UNI 6592-12,0X24X2,5 ZN	GLATTE SCHEIBE UNI 6592 - 12X24X2,5 ZN	RONDELL.LISSE UNI 6592 - 12X24X2,5 ZN	ARANDELA PLANA UNI 6592-12,0X24X2,5 ZN	
052	97095311	SMOOTH WASHER UNI 6592 - 12X24X2,5 ZN	ROSETTA PIANA UNI 6592-12,0X24X2,5 ZN	GLATTE SCHEIBE UNI 6592 - 12X24X2,5 ZN	RONDELL.LISSE UNI 6592 - 12X24X2,5 ZN	ARANDELA PLANA UNI 6592-12,0X24X2,5 ZN	

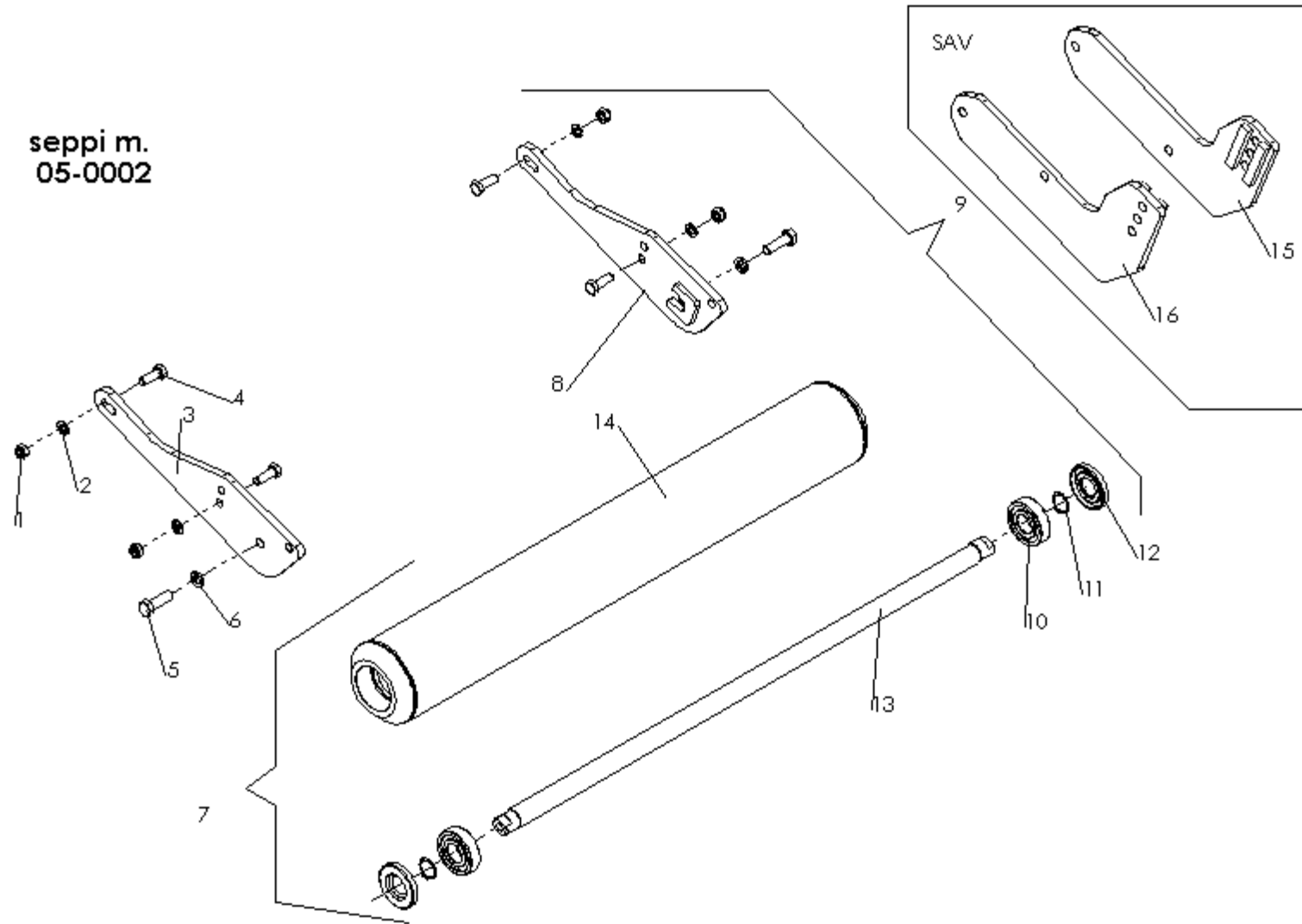


Pos.	Code	Description	Descrizione	Beschreibung	Description	Descripción	Info
001	12004016	3-POINT LINKAGE 3 PUNTI SMWO 175-200	ATTACCO A 3 PUNTI SMWO L=175-200	3-PUNKT-ANBAU F. SMWO 175-200	ATTELAGE 3-POINT 3 PUNTI SMWO 175-200	ENGANCHE 3 PUNTOS SMWO 175-200	L=175 - L=200
001	12004016	3-POINT LINKAGE 3 PUNTI SMWO 175-200	ATTACCO A 3 PUNTI SMWO L=175-200	3-PUNKT-ANBAU F. SMWO 175-200	ATTELAGE 3-POINT 3 PUNTI SMWO 175-200	ENGANCHE 3 PUNTOS SMWO 175-200	L=225
001	12004018	3-POINT LINKAGE 3 PUNTI SMWO 155	ATTACCO A 3 PUNTI SMWO L=155	3-PUNKT-ANBAU F. SMWO 155	ATTELAGE 3-POINT 3 PUNTI SMWO 155	ENGANCHE 3 PUNTOS SMWO 155	L=105 - L=200
001	12004018	3-POINT LINKAGE 3 PUNTI SMWO 155	ATTACCO A 3 PUNTI SMWO L=155	3-PUNKT-ANBAU F. SMWO 155	ATTELAGE 3-POINT 3 PUNTI SMWO 155	ENGANCHE 3 PUNTOS SMWO 155	L=125 - L=200
001	12004018	3-POINT LINKAGE 3 PUNTI SMWO 155	ATTACCO A 3 PUNTI SMWO L=155	3-PUNKT-ANBAU F. SMWO 155	ATTELAGE 3-POINT 3 PUNTI SMWO 155	ENGANCHE 3 PUNTOS SMWO 155	L=145 - L=155
002	12004020	FRAME WITH ARMS 350 SX SMWO	CAVALLETTO CON BRACCETTI L=350 SMWO	ANABUBOCK MIT ARM 350 LX SMWO	CHEVALET AVEC BRAS 350 SX SMWO	CABALLETE CON BRAZOS 350 SX SMWO	L=105 - L=200
002	12004020	FRAME WITH ARMS 350 SX SMWO	CAVALLETTO CON BRACCETTI L=350 SMWO	ANABUBOCK MIT ARM 350 LX SMWO	CHEVALET AVEC BRAS 350 SX SMWO	CABALLETE CON BRAZOS 350 SX SMWO	L=125 - L=200
002	12004020	FRAME WITH ARMS 350 SX SMWO	CAVALLETTO CON BRACCETTI L=350 SMWO	ANABUBOCK MIT ARM 350 LX SMWO	CHEVALET AVEC BRAS 350 SX SMWO	CABALLETE CON BRAZOS 350 SX SMWO	L=145 - L=155
002	12004031	FRAME WITH ARMS 400 DX SMWO	CAVALLETTO CON BRACCETTI L=400 SMWO	ANBAUBOCK MIT ARM 400 RX SMWO	CHEVALET AVEC BRAS 400 DX SMWO	CABALLETE CON BRAZOS 400 DX SMWO	L=175 - L=200
002	12004031	FRAME WITH ARMS 400 DX SMWO	CAVALLETTO CON BRACCETTI L=400 SMWO	ANBAUBOCK MIT ARM 400 RX SMWO	CHEVALET AVEC BRAS 400 DX SMWO	CABALLETE CON BRAZOS 400 DX SMWO	L=225
003	12004007	CPL 3-POINT LINKAGE SX SMWO	ATTACCO A 3 PUNTI CPL SX SMWO	KPL 3-PUNKT-ANBAU LX SMWO	ATTELAGE 3-POINTS CPL SX SMWO	ENGANCHE 3 PUNTO S CPL SX SMWO	L=105 - L=200
003	12004007	CPL 3-POINT LINKAGE SX SMWO	ATTACCO A 3 PUNTI CPL SX SMWO	KPL 3-PUNKT-ANBAU LX SMWO	ATTELAGE 3-POINTS CPL SX SMWO	ENGANCHE 3 PUNTO S CPL SX SMWO	L=125 - L=155
003	12004007	CPL 3-POINT LINKAGE SX SMWO	ATTACCO A 3 PUNTI CPL SX SMWO	KPL 3-PUNKT-ANBAU LX SMWO	ATTELAGE 3-POINTS CPL SX SMWO	ENGANCHE 3 PUNTO S CPL SX SMWO	L=125 - L=200
003	13004023	CPL 3-POINT LINKAGE DX SMO	ATTACCO A 3 PUNTI CPL SX SMO	KPL 3-PUNKT-ANBAU LX SMO	ATTELAGE 3-POINTS CPL DX SMO	ENGANCHE 3 PUNTO S CPL SX SMO	L=175 - L=200
003	13004023	CPL 3-POINT LINKAGE DX SMO	ATTACCO A 3 PUNTI CPL SX SMO	KPL 3-PUNKT-ANBAU LX SMO	ATTELAGE 3-POINTS CPL DX SMO	ENGANCHE 3 PUNTO S CPL SX SMO	L=225
004	13004037	NYLON SPLINED BUSHING 30 X 38 X 50	BOCCOLA 30 X 38 X 50 NYLON GRAFFITTATO	GERILLTE PLASTIKBUECHSE 30 X 38 X 50	DOUILLE CANALE EN NYLON 30 X 38 X 50	CASQUILLO NYLON 30 X 38 X 50	
005	97036611	GREASE NIPPLE UNI 7663 AM 6-5.8	INGRASS DIRITTO UNI 7663 AM 6X1(5-8CH7	SCHMIERNIPPEL UNI 7663 AM 6X1 (5-8)	GRAISSEUR UNI 7663 AM 6-5.8	LUBRICADOR UNI 7663 AM 6X1(5-8CH7	
006	12004032	ARM 400 WITH LOWER LINK.	BRACCIO CON ATT INFERIORE L=400	ARM 400 MIT UNTEREM ANBAU L=400	BRAS 400 AVEC ATTEL.INFER.	BRAZO 400 CON CONEX. INFERIOR SMWO	L=175 - L=200
006	13004080	ARM 350 WITH UPP.LINKAGE	BRACCIO 350 CON ATT.SUPERIORE	ARM 350 MIT OBEREM ANBAU	BRAS 350 AVEC ATTEL.SUPER.	BRAZO 350 CON CONEXION SUPERIOR	L=105 - L=200
006	13004080	ARM 350 WITH UPP.LINKAGE	BRACCIO 350 CON ATT.SUPERIORE	ARM 350 MIT OBEREM ANBAU	BRAS 350 AVEC ATTEL.SUPER.	BRAZO 350 CON CONEXION SUPERIOR	L=125 - L=200
006	13004080	ARM 350 WITH UPP.LINKAGE	BRACCIO 350 CON ATT.SUPERIORE	ARM 350 MIT OBEREM ANBAU	BRAS 350 AVEC ATTEL.SUPER.	BRAZO 350 CON CONEXION SUPERIOR	L=155
006	13004111	ARM 350 WITH LOWER LINK.	BRACCIO CON ATT INFERIORE L=350	ARM MIT UNTEREM ANBAU L=350	BRAS 350 AVEC ATTEL.INFER.	BRAZO 350 CON CONEXION INFERIOR	L=145 - L=155
006	21004070	ARM 400 WITH LOWER LINK.	BRACCIO CON ATT INF L=400 SAV 150-200	ARM MIT UNTEREM ANBAU L=400 SAV 150-200	BRAS 400 AVEC ATTEL.INFER.	BRAZO 400 c/ CONEX. INFERIOR SAV 150-200	L=175 - L=200
006	21004070	ARM 400 WITH LOWER LINK.	BRACCIO CON ATT INF L=400 SAV 150-200	ARM MIT UNTEREM ANBAU L=400 SAV 150-200	BRAS 400 AVEC ATTEL.INFER.	BRAZO 400 c/ CONEX. INFERIOR SAV 150-200	L=225
007	13004044	ARM OF 350	BRACCIO CPL L=350	KPL. ARM L=350	BRAS DE 350	BRAZO CPL 350	L=105 - L=200
007	13004044	ARM OF 350	BRACCIO CPL L=350	KPL. ARM L=350	BRAS DE 350	BRAZO CPL 350	L=125 - L=200
007	13004044	ARM OF 350	BRACCIO CPL L=350	KPL. ARM L=350	BRAS DE 350	BRAZO CPL 350	L=145 - L=155

Pos.	Code	Description	Descrizione	Beschreibung	Description	Descripción	Info
007	13004045	ARM OF 400	BRACCIO CPL L=400	KPL. ARM L=400	BRAS DE 400	BRAZO CPL 400	L=175 - L=200
007	13004045	ARM OF 400	BRACCIO CPL L=400	KPL. ARM L=400	BRAS DE 400	BRAZO CPL 400	L=225
008	13004033	PIN SIDE.SHORT 3-POINT LINK.	PERNO D30 L=228 CON FORO D 8	BOLZEN D30 L=228 LOCH D11	GOUJON COTE ATT.3-POINT COURT	PERNO D30 L=228 CON ORIFICIO D 8	
009	13004035	PIN SIDE.SHORT.FRAME	PERNO D30 L=270 CON 2 FORI D11	BOLZEN D30 L=270 LOCH D11	GOUJON P.CHASSIS COURT	PERNO D30 L=270 CON 2 ORIFICIOS D11	
010	19704005	1.CAT.PIN 3° POINT+CHAIN+PIN 19	PERNO I CAT III PUNTO+CAT + SPINA D19	BOLZEN KAT I+III +KETTE+HUELSE D19	GOUJ.1.CAT. 3° POINT+CHAINE+GOUJON 19	PERNO I CAT. 3° PUNTO+CADENA+PERNO D19	
011	13004139	BOCCOLA PER P.T.O. SHAFT SUPPORT	BOCCOLA X GANCIO SOSTEGNO CARDANO	BUECHSE F. ANSCHLUSS KARDANHALTERUNG	BOCCOLA PER SUPPORT CARDAN	CASQUJILLO PARA GANCHO SOPORTE CARDAN	
012	13004060	CONVERTER BUSHING 25X2,5X50	BUSSOLA DI CONVERSIONE 19,7X25,5 L=51	KONVERSIONRBUECHSE 19,7 X 25,5 L=51	DOUILLE DE CONVERSION 25X2,5X50	CASQUILLO DE CONVERSION 25X2,5X50	
013	13004002	ROCKING BRACKET	STAFFA OSCILLANTE	PENDELBUegel	ESTRIER OSCILLANT	TRABA OSCILANTE	
014	96620721	BOLT TE M 24X080 UNI 5737 8.8 ZN	VITE TE M24X 80 UNI 5737 8.8 ZN	SCHRAUBE TE M 24 X 80 UNI 5737 8,8 ZN	VIS TE M 24X080 UNI 5737 8.8 ZN	TORNILLO TE M24X 80 UNI 5737 8.8 ZN	
015	97972721	LOWER SELFBLOCKING NUT M 24-6S UNI7474	DADO AUTOBLOC.BASSO M24-6S UNI7474	SELBSTSICHER.MUTTER M24-6S UNI7474 NIED.	ECROU AUTOSERR.M 24-6S UNI7474	TUERCA AUTO BLOQ. BAJA M 24-6S UNI7474	
016	97096211	SMOOTH WASHER UNI 6592 - 25X44X4,0 ZN	ROSETTA PIANA UNI 6592- 25,0X44X4,0 ZN	GLATTE SCHEIBE UNI 6592 - 25X44X4 ZN	RONDELL.LISSE UNI 6592 - 25X44X4,0 ZN	ARANDELA PLANA UNI 6592- 25,0X44X4,0 ZN	
017	13004147	1.AND 2.CAT. PIN 1° E 2° POINT '96	PERNO I E II CAT. 1 E 2 PUNTO CPL L=209	1.UND 2.KAT.BOLZEN UNTERLENKER	GOUJON 1.ET 2.CAT. 1° E 2° POINT '96	PERNO 1.Y 2.CAT. 1° E 2° PUNTOS CPL L=20	
018	16004014	PIN D. 10	SPINA A SCATTO D.10	SPERRBOLZEN DM 10	GOUJON D. 10	PERNO A SCATTO D.10	
019	14404021	P.T.O. SHAFT SUPPORT	GANCIO SOSTEGNO CARDANO	KARDANHALTERUNG	SUPPORT CARDAN	GANCHO SOPORTE PARA CARDAN	
020	96609621	BOLT TE M 12X050 UNI 5737 8.8 ZN	VITE TE M12X 50 UNI 5737 8.8 ZN	SCHRAUBE TE M 12 X 50 UNI 5737 8,8 ZN	VIS TE M 12X050 UNI 5737 8.8 ZN	TORNILLO TE M12X 50 UNI 5737 8.8 ZN	
021	97495034	WASHER ELSP ASA B- 27 - 12,2X21,2X2,5 N	ROSETTA ELSP ASA B-27- 12,2X21,2X2,5 N	SCHEIBE ELSP ASA B- 27 - 12,2X21,2X2,5 N	RONDELLE ELS ASA B- 27 - 12,2X21,2X2,5 N	ARANDELA ELSP ASA B-27- 12,2X21,2X2,5 N	
022	13011009	SUPPORT FOOT SMO,SMW/O/A,SML	PIEDINO DI SOSTEGNO SMO,SMW/O/A,SML	STUETZFUSS KPL. SMO,SMW/O/A,SML	BEQUILLE SMO,SMW/O/A,SML	PIE SOPORTE SMO,SMW/O/A,SML	
023	14311010	PIN FOR SUPPORT (VS.COD. 33541)	SPINA PER PIEDINO	SPEERBOLZEN F. STUETZFUSS	GOUJON P.SUPPORT (VS.COD. 33541)	PERNO X PIE	
024	96608321	BOLT TE M 10X060 UNI 5737 8.8 ZN	VITE TE M10X 60 UNI 5737 8.8 ZN	SCHRAUBE TE M 10 X 60 UNI 5737 8,8 ZN	VIS TE M 10X060 UNI 5737 8.8 ZN	TORNILLO TE M10X 60 UNI 5737 8.8 ZN	
025	13011019	CAP F.SMALL SUPPORT QUIA 30X30	TAPPO PER PIEDINO PICCOLO 30X30	PFRÖPFEN F.KLEINEN STUETZFUSS 30X30	BOUCHON P.SUPPORT PETIT QUIA 30X30	TAPON X PIE CHICO 30X30	
026	97486611	BOLT AUTOF. TYPE C 6,3 X 19 UNI 8117	VITE AUTOF. TIPO C 6,3 X 19 UNI 8117 V	SCHRAUBE TYP C 6,3 X 19 UNI 8117 V	VIS AUTOF. TYPE C 6,3 X 19 UNI 8117 V	TORNILLO AUTOROSC. TIPO C6,3X19 UNI8117V	
027	12004021	CPL MECH.SIDE SHIFT SMWO	SPOSTAMENTO MECCANICO CPL SMWO	KPL MECHANISCHE VERSCHIEBUNG SMWO	DEPLACEMENT MECH.CPL SMWO	DESPLAZAMIENTO MEC.CPL SMWO	L=125 - L=155
027	13004061	CPL STD MECH.SIDE SHIFT	SPOSTAMENTO MECCANICO CPL	KPL MECHANISCHE VERSCHIEBUNG	DEPLACEMENT MECH.CPL STD	DESPLAZAMIENTO MEC.STD CPL	L=175 - L=200
028	12004005	INT.HOSE MECH.SIDESHIFT SMO-S	TUBO INTERNO SPOSTAMENTO MECCANICO SMO	INT. ROHR MECH.VERSCHIEBUNG SMO	TUBE INT. DEPLACEMENT MECH.SMO-S	TUBO INTERNO DESPLAZ. MEC. SMO	
029	12004003	EXT.HOSE MECH.SIDESHIFT SMWO	TUBO ESTERNO SPOSTAMENTO MECC SMWO	AUSS. ROHR MECH.VERSCHIEBUNG SMWO	TUBE EXT. DEPLACEMENT MECH.SMWO	TUBO ESTERNO DESPLAZ. MEC. SMWO	
029	13004011	EXT.HOSE MECH.SIDESHIFT SMO	TUBO ESTERNO SPOSTAMENTO MECC SMO	AUSS. ROHR MECH.VERSCHIEBUNG SMO	TUBE EXT. DEPLACEMENT MECH.SMO	BRAZO PARA DESPLAZAMIENTO MECANICO SMO	

Pos.	Code	Description	Descrizione	Beschreibung	Description	Descripción	Info
030	12004004	CPL PISTON PIN	PERNO D14X80	KPL. KOLBENBOLZEN	AXE PISTON CPL	PERNO D14X80	
031	17908010	PIN WITH PLATE D 22X 95 INT=45	PERNO CON GOCCIA D22X 95 INT=45	BOLZEN M.PLATTE D 22X 95 INT=45	GOUJON A.PLAQUE D 22X 95 INT=45	PERNO CON PLACA D 22X 95 INT=45	
032	17908009	PIN WITH PLATE D 19X 80 INT=45	PERNO CON GOCCIA D19X 80 INT=45	BOLZEN M.PLATTE D 19X 80 INT=45	GOUJON A.PLAQUE D 19X 80 INT=45	PERNO CON PLACA D 19X 80 INT=45	
033	97972021	LOW.SELFBLOCK.NUT M 12- 6S UNI7474	DADO AUTOBLOC.BASSO M12-6S UNI7474	SELBSTSICHER.MUTTER M12-6S UNI7474 NIED.	ECROU AUTOSERR.M 12-6S UNI7474	TUERCA AUTO BLOQ. BAJA M 12-6S UNI7474	
035	13010028	PIN RUBBER PROTECTION ART. 1020 D.30	PROTEZIONE PERNI D30 IN GOMMA ART 1020	GUMMISCHUTZ F. BOLZEN	PROT.GOUJON EN VOLET ART. 1020 D.30	PROTECCION PERNO D30 EN GOMA ART 1020	
036	97971821	LOW.SELFBLOCK.NUT M 10- 6S UNI7474	DADO AUTOBLOC.BASSO M10-6S UNI7474	SELBSTSICHER.MUTTER M10-6S UNI7474 NIED.	ECROU AUTOSERR.M 10-6S UNI7474	TUERCA AUTO BLOQ. BAJA M 10-6S UNI7474	
037	97094911	SMOOTH WASHER UNI 6592 - 08,4X16X1,6 ZN	ROSETTA PIANA UNI 6592- 08,4X16X1,6 ZN	GLATTE SCHEIBE UNI 6592 - 8,4X16X1,6 ZN	RONDELL.LISSE UNI 6592 - 08,4X16X1,6 ZN	ARANDELA PLANA UNI 6592- 08,4X16X1,6 ZN	
037	97094921	SMOOTH WASHER M 8 9X24X2 ZN.	RONDELLA GREMBIULINA 9X24X2	SCHEIBE 9X24X2	RONDELLE LISSE M 8 9X24X2 ZN.	ARANDELA 9X24X2	
038	97971721	LOW.SELFBLOCK.NUT M 8- 6S UNI7474	DADO AUTOBLOC.BASSO M 8-6S UNI7474	SELBSTSICHER.MUTTER M 8-6S UNI7474 NIED.	ECROU AUTOSERR.M 8-6S UNI7474	TUERCA AUTO BLOQ. BAJA M 8-6S UNI7474	
039	96605721	BOLT TE M 08X030 UNI 5739 8.8 ZN	VITE TE M 8X 30 UNI 5739 8.8 ZN	SCHRAUBE TE M 8 X 30 UNI 5739 8,8 ZN	VIS TE M 08X030 UNI 5739 8.8 ZN	TORNILLO TE M 8X 30 UNI 5739 8.8 ZN	
060	97101003	ELASTIC SPLIT D=5 UNI 8833	COPIGLIA ELASTICA D=5 UNI 8833	SPLINT ELAST. D=5 UNI 8633	GOUPILLE ELASTTQUE D=5 UNI 8833	PASADOR ELAST. D=5 UNI 8833	

seppi m.
05-0002



Pos.	Code	Description	Descrizione	Beschreibung	Description	Descripción	Info
001	97972021	LOW.SELFBLOCK.NUT M 12-6S UNI7474	DADO AUTOBLOC.BASSO M12-6S UNI7474	SELBSTSICHER.MUTTER M12-6S UNI7474 NIED.	ECROU AUTOSERR.M 12-6S UNI7474	TUERCA AUTO BLOQ. BAJA M 12-6S UNI7474	
002	97495031	WASHER ELSP ASA B- 27 - 12,2X21,2X2,5 ZN	ROSETTA ELSP ASA B-27-12,2X21,2X2,5 ZN	SCHEIBE ELSP ASA B-27 - 12,2X21,2X2,5 ZN	RONDELLE ELS ASA B- 27 - 12,2X21,2X2,5 Z	ARANDELA ELSP ASA B-27-12,2X21,2X2,5 ZN	
002	97495034	WASHER ELSP ASA B- 27 - 12,2X21,2X2,5 N	ROSETTA ELSP ASA B-27-12,2X21,2X2,5 N	SCHEIBE ELSP ASA B- 27 - 12,2X21,2X2,5 N	RONDELLE ELS ASA B- 27 - 12,2X21,2X2,5 N	ARANDELA ELSP ASA B-27-12,2X21,2X2,5 N	
003	11305017	CPL ROLLER SUPPORT-DX SML	SUPPORTO RULLO-DX CPL SML	WALZENHALTER RX SML	SUPP.ROULEAU-DX CPL SML	SOPORTE RODILLO-DX CPL SML	
004	96610021	BOLT TE M 12X035 UNI 5739 8.8 ZN	VITE TE M12X 35 UNI 5739 8.8 ZN	SCHRAUBE TE M 12 X 35 UNI 5739 8,8 ZN	VIS TE M 12X035 UNI 5739 8.8 ZN	TORNILLO TE M12X 35 UNI 5739 8.8 ZN	
004	96610027	BOLT TE M 12X035 UNI 5739 8.8 BLACK	VITE TE M12X 35 UNI 5739 8.8 NERA	SCHRAUBE TE M 12 X 35 UNI 5739 8,8 SCHW	VIS TE M 12X035 UNI 5739 8.8 NOIRE	TORNILLO TE M12X 35 UNI 5739 8.8 NEGRO	
005	96609927	BOLT TE M 12X030 UNI 5739 8.8 BLACK	VITE TE M12X 30 UNI 5739 8.8 NERA	SCHRAUBE TE M 12 X 30 UNI 5739 8,8 SCHW	VIS TE M 12X030 UNI 5739 8.8 NOIRE	TORNILLO TE M12X 30 UNI 5739 8.8 NEGRO	
005	96612221	BOLT TE M 14X030 UNI 5739 8.8 ZN	VITE TE M14X 30 UNI 5739 8.8 ZN	SCHRAUBE TE M 14 X 30 UNI 5739 8,8 ZN	VIS TE M 14X030 UNI 5739 8.8 ZN	TORNILLO TE M14X 30 UNI 5739 8.8 ZN	
005	96612227	BOLT TE M 14X030 UNI 5739 8.8 BLACK	VITE TE M14X 30 UNI 5739 8.8 NERA	SCHRAUBE TE M 14 X 30 UNI 5739 8,8 SCHW	VIS TE M 14X030 UNI 5739 8.8 NOIRE	TORNILLO TE M14X 30 UNI 5739 8.8 NEGRO	
006	97495131	WASHER ELSP ASA B- 27 - 14,2X24,1X3 ZN	ROSETTA ELSP ASA B-27-14,2X24,1X3 ZN	SCHEIBE ELSP ASA B- 27 - 14,2X24,1X3 ZN	RONDELLE ELS ASA B- 27 - 14,2X24,1X3 ZN	ARANDELA ELSP ASA B-27-14,2X24,1X3 ZN	
006	97495134	WASHER ELSP ASA B- 27 - 14,2X24,1X3 N	ROSETTA ELSP ASA B-27-14,2X24,1X3 N	SCHEIBE ELSP ASA B- 27 - 14,2X24,1X3 N	RONDELLE ELS ASA B- 27 - 14,2X24,1X3 N	ARANDELA ELSP ASA B-27-14,2X24,1X3 N	
007	11305011	CPL ROLL.SML- 105 E=1026,D=133,M-14	RULLO CPL E=1026 D=133 M-14 SML L=105	KPL WALZE SML L=105 E=1026 DM=133 M-14	ROUL.CPL SML- 105 E=1026,D=133,M-14	RODILLO-CPL-SML-105 E=1026,D=133,M-14	L=105
007	11305012	CPL ROLL.SML- 125 E=1226,D=133,M-14	RULLO CPL E=1226 D=133 M-14 SML L=125	KPL WALZE SML L=125 E=1226 DM=133 M-14	ROUL.CPL SML- 125 E=1226,D=133,M-14	RODILLO-CPL-SML-125 E=1226,D=133,M-14	L=125
007	11305013	CPL ROLL.SML- 155 E=1526,D=133,M-14	RULLO CPL E=1526 D=133 M-14 SML L=155	KPL WALZE SML L=155 E=1526 DM=133 M-14	ROUL.CPL SML- 155 E=1526,D=133,M-14	RODILLO-CPL-SML-155 E=1526,D=133,M-14	L=150
007	11305013	CPL ROLL.SML- 155 E=1526,D=133,M-14	RULLO CPL E=1526 D=133 M-14 SML L=155	KPL WALZE SML L=155 E=1526 DM=133 M-14	ROUL.CPL SML- 155 E=1526,D=133,M-14	RODILLO-CPL-SML-155 E=1526,D=133,M-14	OPT 274
007	11305014	CPL ROLL.SML- 175 E=1726,D=133,M-14	RULLO CPL E=1726 D=133 M-14 SML L=175	KPL WALZE SML L=175 E=1726 DM=133 M-14	ROUL.CPL SML- 175 E=1726,D=133,M-14	RODILLO-CPL-SML-175 E=1726,D=133,M-14	L=175
007	11305014	CPL ROLL.SML- 175 E=1726,D=133,M-14	RULLO CPL E=1726 D=133 M-14 SML L=175	KPL WALZE SML L=175 E=1726 DM=133 M-14	ROUL.CPL SML- 175 E=1726,D=133,M-14	RODILLO-CPL-SML-175 E=1726,D=133,M-14	OPT 274
007	11305015	CPL ROLL.SML- 200 E=1976,D=133,M-14	RULLO CPL E=1976 D=133 M-14 SML L=200	KPL WALZE SML L=200 E=1976 DM=133 M-14	ROUL.CPL SML- 200 E=1976,D=133,M-14	RODILLO-CPL-SML-200 E=1976,D=133,M-14	L=200
007	11305015	CPL ROLL.SML- 200 E=1976,D=133,M-14	RULLO CPL E=1976 D=133 M-14 SML L=200	KPL WALZE SML L=200 E=1976 DM=133 M-14	ROUL.CPL SML- 200 E=1976,D=133,M-14	RODILLO-CPL-SML-200 E=1976,D=133,M-14	OPT 274
007	21005003	CPL ROLL.SML- 225 E=2226,D=133,M-14	RULLO-CPL-SML-225 E=2226,D=133,M-14	KPL WALZE SML L=225 E=2226 DM=133 M-14	ROUL.CPL SML- 225 E=2226,D=133,M-14	RODILLO-CPL-SML-225 E=2226,D=133,M-14	
008	11305016	CPL ROLLER SUPPORT-SX SML	SUPPORTO RULLO-SX CPL SML	WALZENHALTER LX SML	SUPP.ROULEAU-SX CPL SML	SOPORTE RODILLO-SX CPL SML	
009	11305001	ROLLER GROUP SML- 105	GRUPPO RULLO SML-105	WALZENGRUPPE SML L=105	GP ROULEAU SML- 105	GRUPO RODILLO SML- 105	
009	11305002	ROLLER GROUP SML- 125	GRUPPO RULLO SML-125	WALZENGRUPPE SML L=125	GP ROULEAU SML- 125	GRUPO RODILLO SML- 125	
009	11305003	ROLLER GROUP SML- 155	GRUPPO RULLO SML-155	WALZENGRUPPE SML L=155	GP ROULEAU SML- 155	GRUPO RODILLO SML- 155	
009	11305004	ROLLER GROUP SML- 175	GRUPPO RULLO SML-175	WALZENGRUPPE SML L=175	GP ROULEAU SML- 175	GRUPO RODILLO SML- 175	
009	11305005	ROLLER GROUP SML- 200	GRUPPO RULLO SML-200	WALZENGRUPPE SML L=200	GP ROULEAU SML- 200	GRUPO RODILLO SML- 200	
009	11305007	ROLLER GROUP SML- 225	GRUPPO RULLO SML-225	WALZENGRUPPE SML L=225	GP ROULEAU SML- 225	GRUPO RODILLO SML- 225	
010	11305029	BEARING 6306 2Z 30X72X19	CUSCINETTO 6306 2Z 30X72X19 RAD.SFE	KUGELLAGER 6306 2Z 30X72X19 RAD.	ROULEMENT 6304 20X 52X15 RAD.SFE	RODAMIENTO 6306 2Z 30X72X19 ESFERAS	

Pos.	Code	Description	Descrizione	Beschreibung	Description	Descripción	Info
011	96866876	EL.RING F.SHAFTS 30X1,5	ANELLO EL. PER ALBERI 30X1,5	WELLENSPANNRING 30X1,5	BAGUE ARRET P.ARBRES 30X1,5	RETEN EL.P.EJES 30X1,5	
012	11305030	OIL SEAL 30 X 72 X10	ANELLO DI TENUTA 30 X 72 X10	DICHTUNGSRING 30 X 72 X10	BAGUE ETACH. 30 X 72 X10	RETEN 30 X 72 X10	
013	11305024	SHAFT X ROLLER L=105	MOZZO X RULLO L=105	NABE F. WALZE L=105	ARBRE X ROLEAU L=105	CUBO X RODILLO L=105	
013	11305025	SHAFT X ROLLER L=125	MOZZO X RULLO L=125	NABE F. WALZE L=125	ARBRE X ROLEAU L=125	CUBO X RODILLO L=125	
013	11305026	SHAFT X ROLLER L=155	MOZZO X RULLO L=155	NABE F. WALZE L=155	ARBRE X ROLEAU L=155	CUBO X RODILLO L=155	
013	11305027	SHAFT X ROLLER L=175	MOZZO X RULLO L=175	NABE F. WALZE L=175	ARBRE X ROLEAU L=175	CUBO X RODILLO L=175	
013	11305028	SHAFT X ROLLER L=200	MOZZO X RULLO L=200	NABE F. WALZE L=200	ARBRE X ROLEAU L=200	CUBO X RODILLO L=200	
014	11305019	HOSE FOR ROLLER L=105	TUBO CON FLANGIA PER RULLO L=105	WALZENROHR MIT FLANCHE L=105	TUBE POUR ROOLEAU L=105	TUBO PARA RODILLO L=105	
014	11305020	HOSE FOR ROLLER L=125	TUBO CON FLANGIA PER RULLO L=125	WALZENROHR MIT FLANCHE L=125	TUBE POUR ROOLEAU L=125	TUBO PARA RODILLO L=125	
014	11305021	HOSE FOR ROLLER L=155	TUBO CON FLANGIA PER RULLO L=155	WALZENROHR MIT FLANCHE L=155	TUBE POUR ROOLEAU L=155	TUBO PARA RODILLO L=155	
014	11305022	HOSE FOR ROLLER L=175	TUBO CON FLANGIA PER RULLO L=175	WALZENROHR MIT FLANCHE L=175	TUBE POUR ROOLEAU L=175	TUBO PARA RODILLO L=175	
014	11305023	HOSE FOR ROLLER L=200	TUBO CON FLANGIA PER RULLO L=200	WALZENROHR MIT FLANCHE L=200	TUBE POUR ROOLEAU L=200	TUBO PARA RODILLO L=200	

